

CUSTOMER APPROVAL
ENDORSEMENT

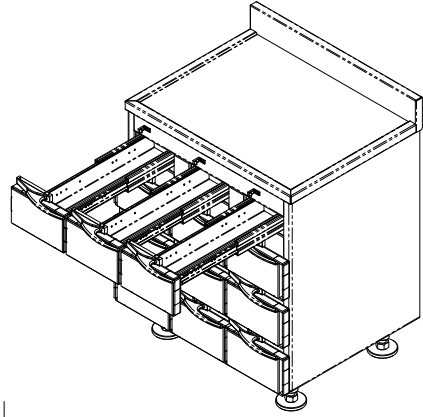
APPROVED AS SHOWN
 APPROVED WITH CHANGES SHOWN

BY: _____ DATE: _____

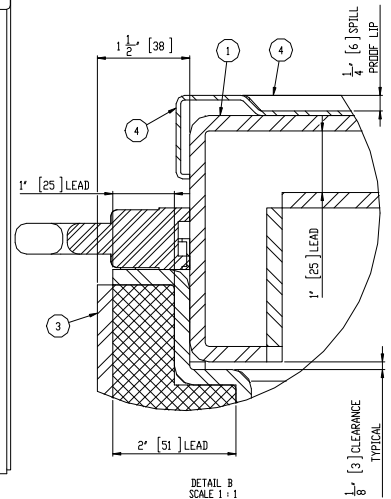
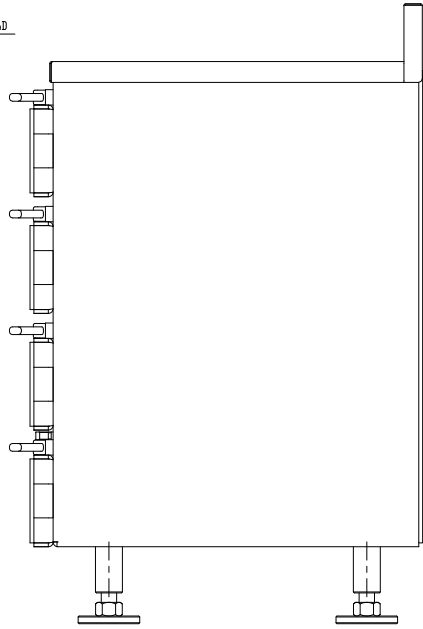
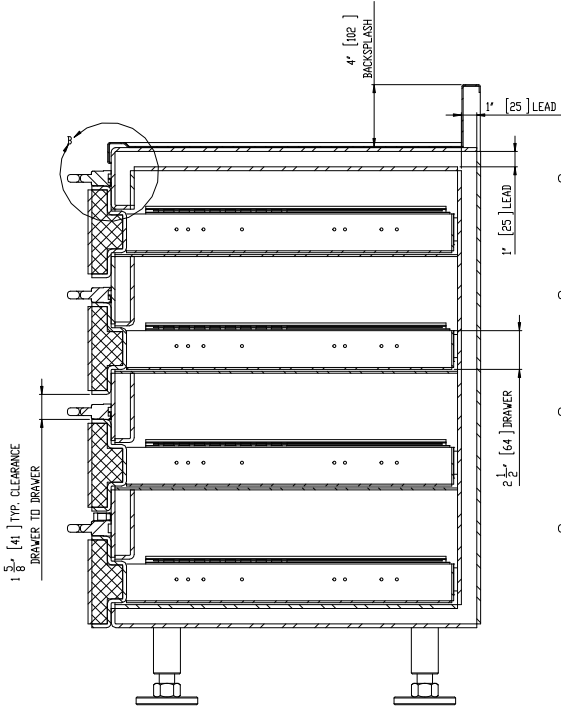
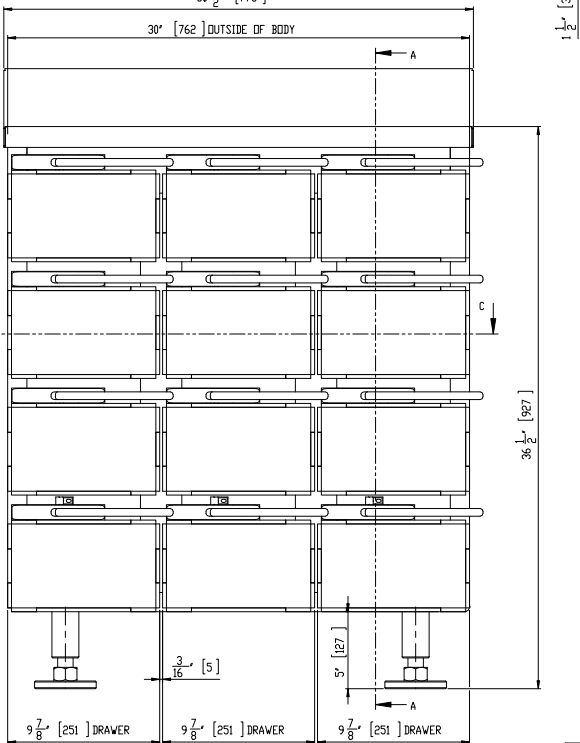
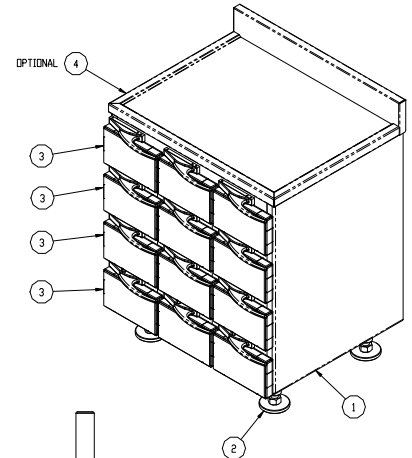
TITLE: _____

COMPANY: _____

COMMENTS: _____



ITEM NO.	QTY	PART NUMBER	DESCRIPTION
1	1	MS-RSC-1.0-01-00	BODY
2	4	MS-DC-0.5-08-00	LEG
3	12	MS-RSC-1.0-03-00	DRAWER
4	1	MS-10-01	OPTIONAL CABINET TOP



TOTAL LEAD WEIGHT	TOTAL CABINET WEIGHT (INCLUDING LEAD)
1,980 LBS. (900 kg)	3,325 LBS. (1,511 kg)

NOTES:
1. ALL UNITS ARE INCHES (mm) UNLESS OTHERWISE SPECIFIED
2. ITEM 4 (CABINET TOP) IS OPTIONAL

REV.	DESCRIPTION	DATE	APPROVED
A	ADDED WEIGHTS TABLE	2/21/2013	MSB

UNLESS OTHERWISE SPECIFIED

ALL DIMENSIONS UNLESS OTHERWISE SPECIFIED ARE IN INCHES (MILLIMETERS) UNLESS OTHERWISE SPECIFIED

ALL DIMENSIONS UNLESS OTHERWISE SPECIFIED ARE IN MILLIMETERS (INCHES) UNLESS OTHERWISE SPECIFIED

PROPERTY OF MARSHIELD
NO PART OF THIS DOCUMENT MAY BE REPRODUCED, STORED, OR TRANSMITTED IN ANY FORM OR BY ANY MEANS WITHOUT THE WRITTEN PERMISSION OF Marshield, a Pure Radco Company
DIVISION OF Pure Radco, Southfield, MI

Marshield Custom Radiation Protection Shielding and Storage

MS-RSC-1.0-30.5-24-36.5

SHEET 1 OF 1