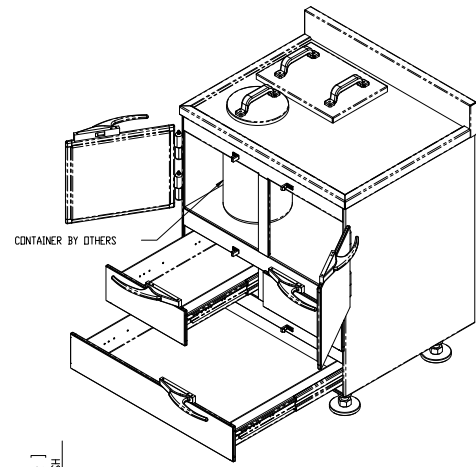


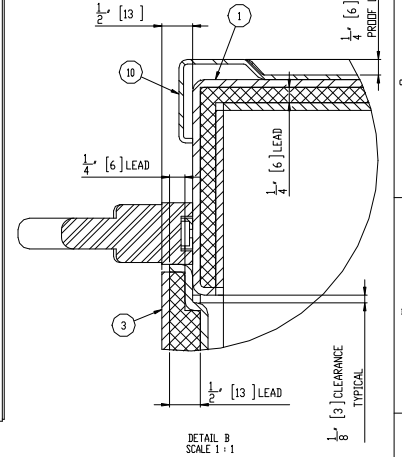
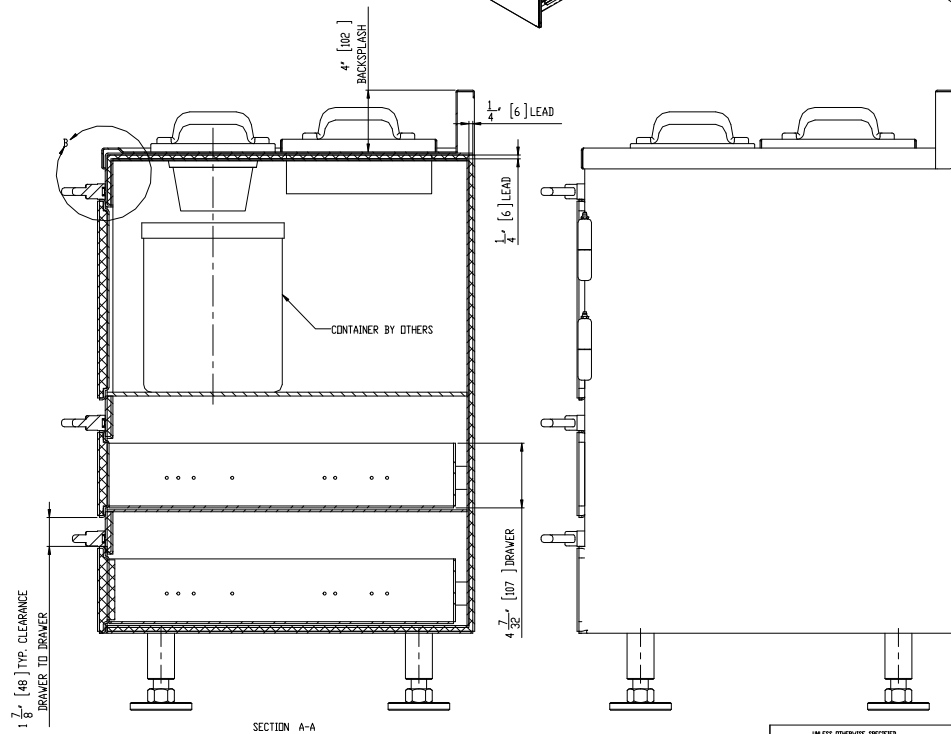
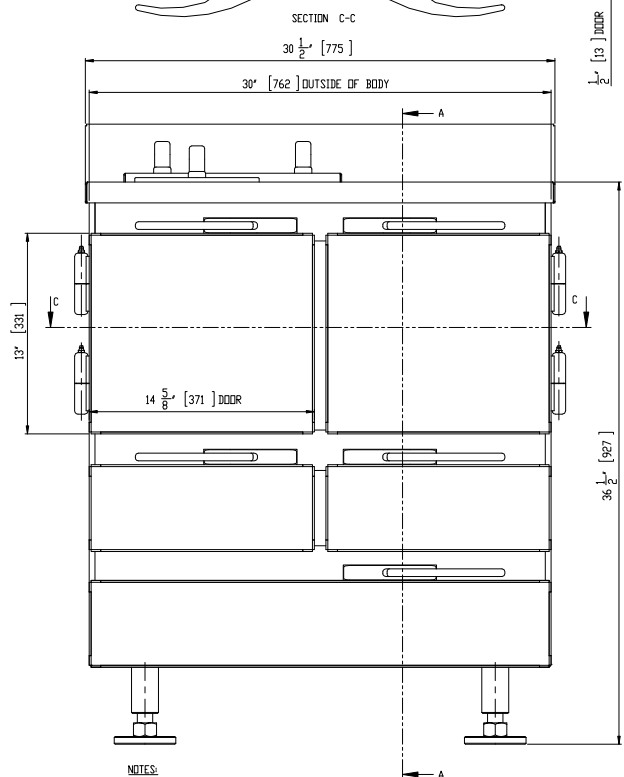
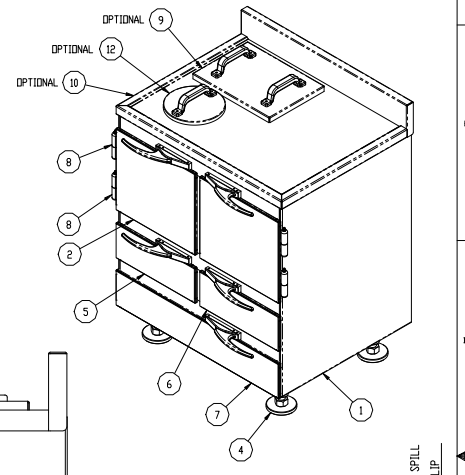
**CUSTOMER APPROVAL
ENDORSEMENT**

APPROVED AS SHOWN
 APPROVED WITH CHANGES SHOWN

BY: _____ DATE: _____
TITLE: _____
COMPANY: _____
COMMENTS: _____



ITEM NO.	QTY	PART NUMBER	DESCRIPTION
1	1	MS-UDC-025-01-00	BODY
2	1	MS-UDC-025-02-00	DOOR - LEFT HAND
3	1	MS-UDC-025-02-00	DOOR - RIGHT HAND
4	4	MS-DC-05-08-00	LEG
5	1	MS-UDC-025-03-00	DRAWER - LEFT HAND
6	1	MS-UDC-025-03-00	DRAWER - RIGHT HAND
7	1	MS-UDC-025-03-06	DRAWER
8	4	-----	4\"/>



- NOTES:**
- ALL UNITS ARE INCHES (mm) UNLESS OTHERWISE SPECIFIED
 - ITEM 9 (CABINET TOP) IS OPTIONAL
 - ITEM 10 (SHARPS HOLE & COVER) IS OPTIONAL
 - ITEM 11 (SHARPS WELL & COVER) IS OPTIONAL

TOTAL LEAD WEIGHT	TOTAL CABINET WEIGHT (INCLUDING LEAD)
535 LBS. (243 kg)	1145 LBS. (520 kg)

REV.	DESCRIPTION	DATE	APPROVED
A	ADDED WEIGHTS TABLE	2/27/2013	MSA

UNLESS OTHERWISE SPECIFIED

ALL DIMENSIONS UNLESS OTHERWISE SPECIFIED SHALL BE IN INCHES AND DECIMALS THEREOF. DIMENSIONS IN PARENTHESIS ARE METRIC EQUIVALENTS. FINISHES ARE AS SHOWN UNLESS OTHERWISE SPECIFIED. MATERIALS SHALL BE AS SPECIFIED OR APPROVED BY THE DESIGNER. ALL DIMENSIONS SHALL BE TO UNLESS OTHERWISE SPECIFIED.	PROPERTY OF MARSHIELD ALL RIGHTS RESERVED. NO PART OF THIS DOCUMENT MAY BE REPRODUCED, STORED, TRANSMITTED, OR DISTRIBUTED IN ANY FORM OR BY ANY MEANS WITHOUT THE WRITTEN PERMISSION OF Marshield, a Pure Radco Company, DIVISION OF Marshield, Inc., a Pure Radco Company.	Marshield Custom Radiation Protection Shielding and Storage
TITLE: UNIT DOSE CABINET ASSEMBLY		SHEET: 14 OF 14
DATE: 2/13/2013		DRAWN BY: A
PROJECT: MS-UDC-025-30.5-24-36.5		SHEET: 1 OF 1