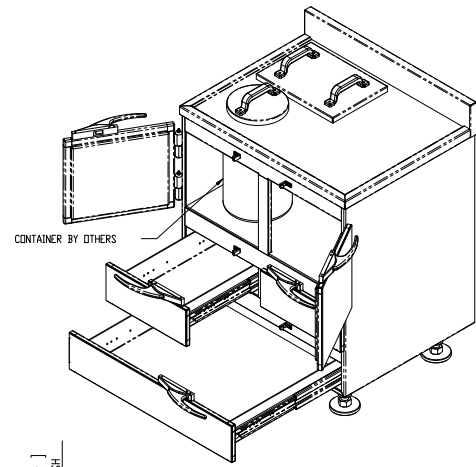


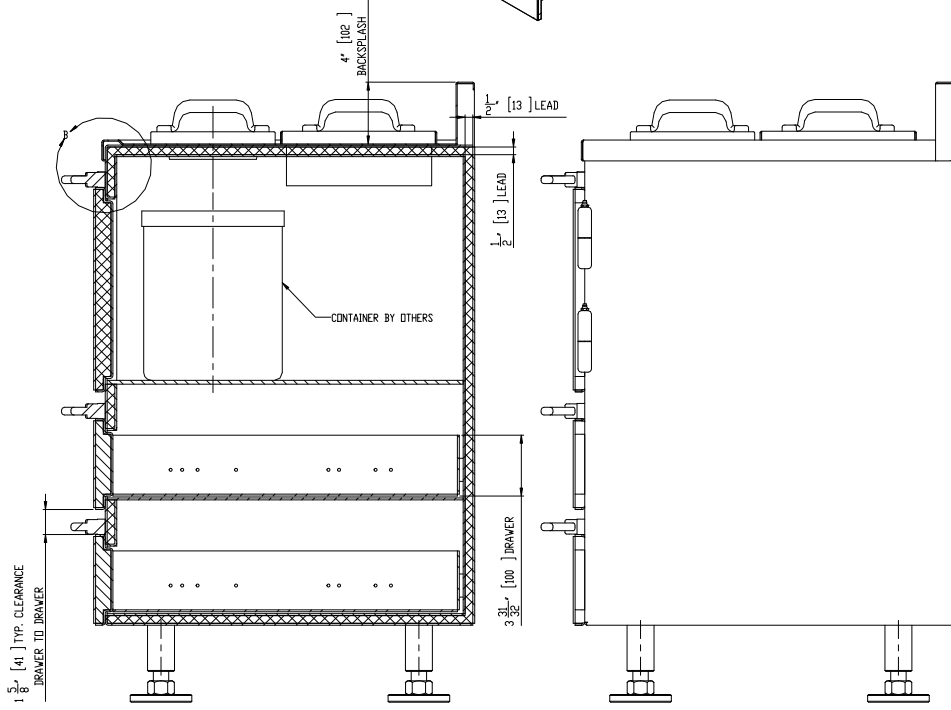
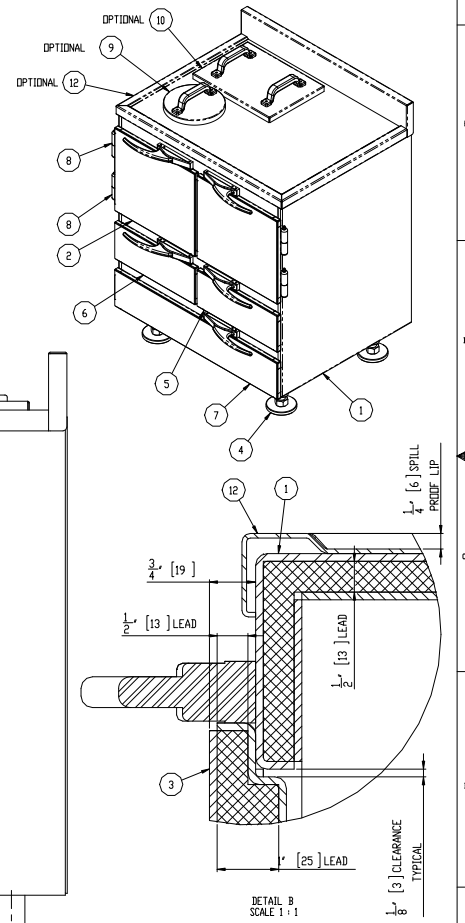
CUSTOMER APPROVAL ENDORSEMENT

APPROVED AS SHOWN
 APPROVED WITH CHANGES SHOWN

BY: _____ DATE: _____
 TITLE: _____
 COMPANY: _____
 COMMENTS: _____



ITEM NO.	QTY	PART NUMBER	DESCRIPTION
1	1	MS-UDC-05-01-00	BODY
2	1	MS-UDC-05-02-00	DOOR - LEFT HAND
3	1	MS-UDC-05-02-00	DOOR - RIGHT HAND
4	4	MS-DC-05-08-00	LEG
5	1	MS-UDC-05-03-00	DRAWER - RIGHT HAND
6	1	MS-UDC-05-03-00	DRAWER - LEFT HAND
7	1	MS-UDC-05-03-06	DRAWER
8	4	-----	4\"/>



- NOTES:
- ALL UNITS ARE INCHES (mm) UNLESS OTHERWISE SPECIFIED
 - ITEM 9 (CABINET TOP) IS OPTIONAL
 - ITEM 10 (SHARPS HOLE & COVER) IS OPTIONAL
 - ITEM 11 (SHARPS WELL & COVER) IS OPTIONAL

TOTAL LEAD WEIGHT	TOTAL CABINET WEIGHT (INCLUDING LEAD)
1,060 LBS. (482 kg)	1,665 LBS. (757 kg)

REV.	DESCRIPTION	DATE	APPROVER
B	ADDED WEIGHTS TABLE	02/07/2003	N.S.B.
A	RELEASED FOR CUSTOMER REVIEW & APPROVAL	1/17/2003	N.S.B.

UNLESS OTHERWISE SPECIFIED

ALL DIMENSIONS UNLESS OTHERWISE SPECIFIED ARE IN INCHES (MILLIMETERS) UNLESS OTHERWISE SPECIFIED.

PROPERTY OF MARSHIELD, INC. ALL RIGHTS RESERVED. NO PART OF THIS DOCUMENT MAY BE REPRODUCED, STORED, TRANSMITTED, OR DISTRIBUTED IN ANY FORM OR BY ANY MEANS, ELECTRONIC OR MECHANICAL, INCLUDING PHOTOCOPYING, RECORDING, OR BY ANY INFORMATION STORAGE AND RETRIEVAL SYSTEM, WITHOUT THE WRITTEN PERMISSION OF Marshield, Inc. or its Company Division of Marshield, Inc. Marshield, Inc.

Marshield Custom Radiation Protection Shielding and Storage

UNIT DOSE CABINET ASSEMBLY

MS-UDC-05-30.5-24-36.5

SHEET 1 OF 1