

CUSTOMER APPROVAL ENDORSEMENT

APPROVED AS SHOWN

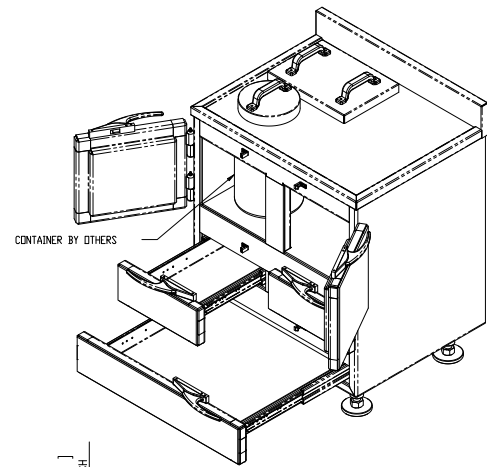
APPROVED WITH CHANGES SHOWN

BY: _____ DATE: _____

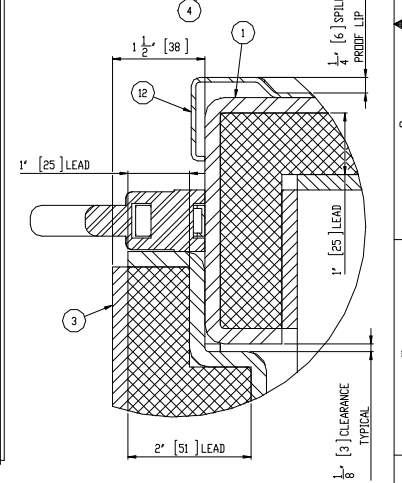
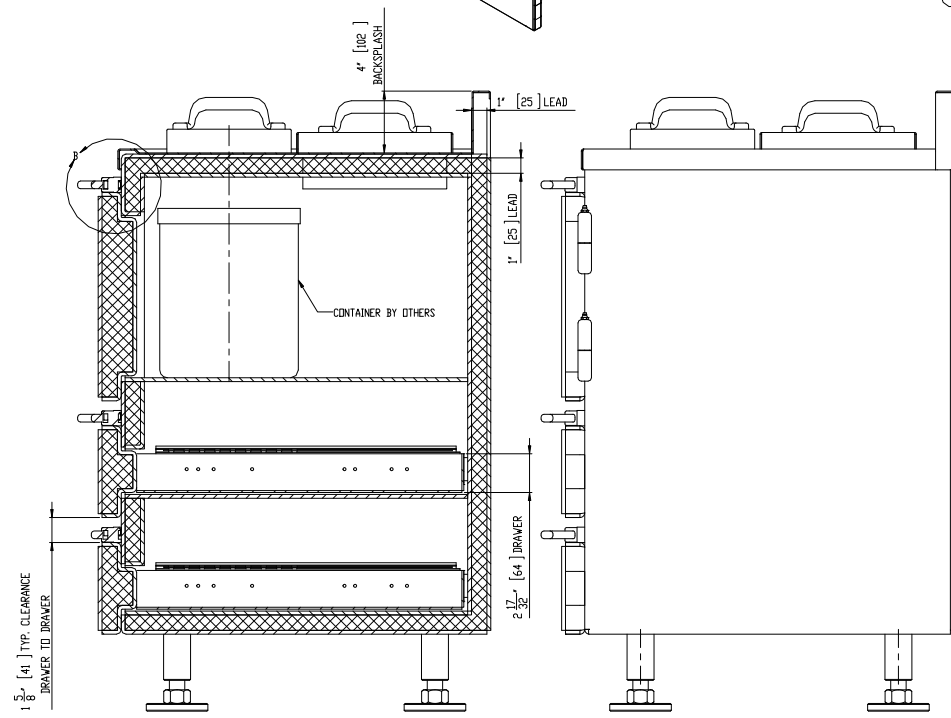
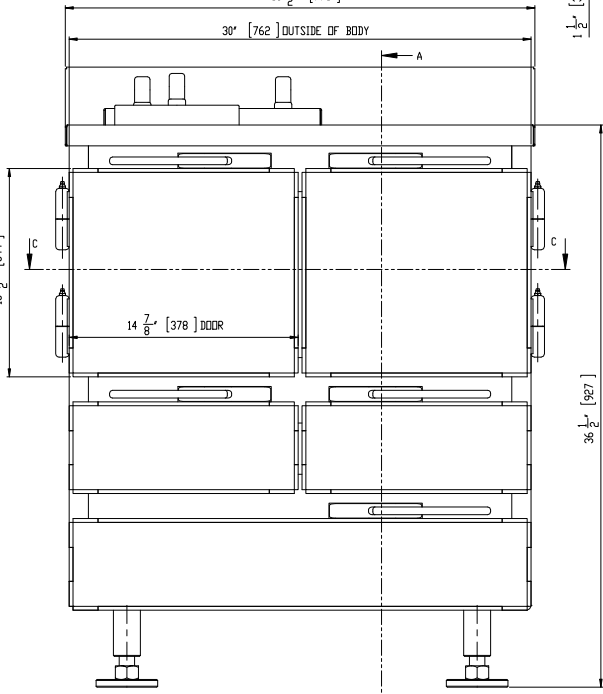
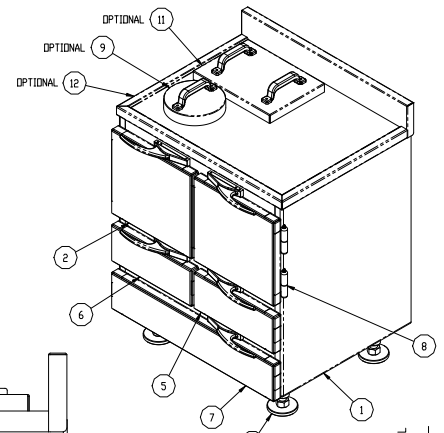
TITLE: _____

COMPANY: _____

COMMENTS: _____



ITEM NO.	QTY	PART NUMBER	DESCRIPTION
1	1	MS-UDC-10-01-00	BODY
2	1	MS-UDC-10-02-00	DOOR - LEFT HAND
3	1	MS-UDC-10-02-00	DOOR - RIGHT HAND
4	4	MS-DC-05-08-00	LEG
5	1	MS-UDC-10-03-00	DRAWER - RIGHT HAND
6	1	MS-UDC-10-03-00	DRAWER - LEFT HAND
7	1	MS-UDC-10-03-06	DRAWER
8	4	-----	4" HINGE C/W GREASE NIPPLE
9	1	-----	OPTIONAL SHARPS HOLE C/W LEAD FILLED COVER
11	1	-----	OPTIONAL SHARPS WELL C/W LEAD FILLED COVER
12	1	MS-10-01	OPTIONAL CABINET TOP



- NOTES:**
- ALL UNITS ARE INCHES (mm) UNLESS OTHERWISE SPECIFIED
 - ITEM 9 (CABINET TOP) IS OPTIONAL
 - ITEM 10 (SHARPS HOLE & COVER) IS OPTIONAL
 - ITEM 11 (SHARPS WELL & COVER) IS OPTIONAL

TOTAL LEAD WEIGHT	TOTAL CABINET WEIGHT (INCLUDING LEAD)
1,980 LBS. (900 kg)	2,940 LBS. (1,336 kg)

REV.	DESCRIPTION	DATE	APPROVED
A	ANNE'S WEIGHTS TABLE	2/27/2013	MSB

UNLESS OTHERWISE SPECIFIED

ALL DIMENSIONS ARE IN INCHES (mm) UNLESS OTHERWISE SPECIFIED

ALL DIMENSIONS ARE TO CENTER UNLESS OTHERWISE SPECIFIED

ALL DIMENSIONS ARE TO FACE UNLESS OTHERWISE SPECIFIED

ALL DIMENSIONS ARE TO CENTER UNLESS OTHERWISE SPECIFIED

ALL DIMENSIONS ARE TO FACE UNLESS OTHERWISE SPECIFIED

ALL DIMENSIONS ARE TO CENTER UNLESS OTHERWISE SPECIFIED

ALL DIMENSIONS ARE TO FACE UNLESS OTHERWISE SPECIFIED

PROPERTY OF MARSHIELD

NO PART OF THIS DOCUMENT MAY BE REPRODUCED, STORED, OR TRANSMITTED IN ANY FORM OR BY ANY MEANS WITHOUT THE WRITTEN PERMISSION OF Marshield, a Pure Radco Company

DESIGN OF Marshield, Marshield, USA

Marshield

Custom Radiation Protection Shielding and Storage

UNIT DOSE CABINET ASSEMBLY

MS-UDC-10-30-5-24-36-5

SHEET 1 OF 1