

**CUSTOMER APPROVAL ENDORSEMENT**

APPROVED AS SHOWN

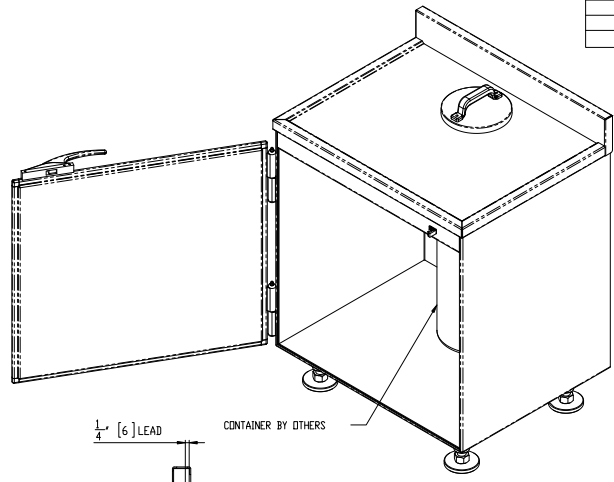
APPROVED WITH CHANGES SHOWN

BY: \_\_\_\_\_ DATE: \_\_\_\_\_

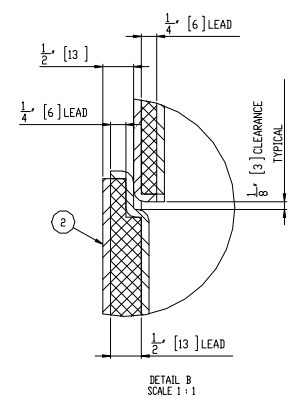
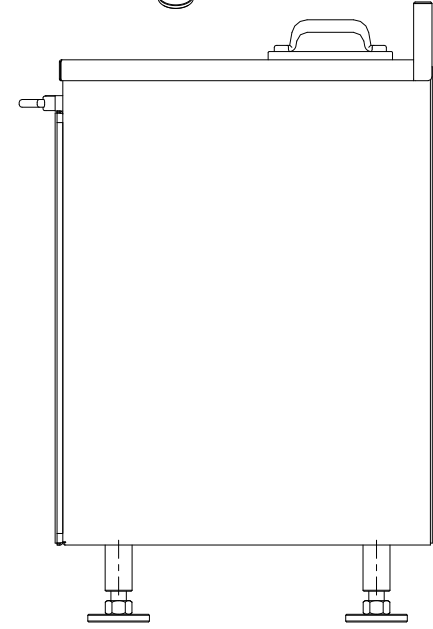
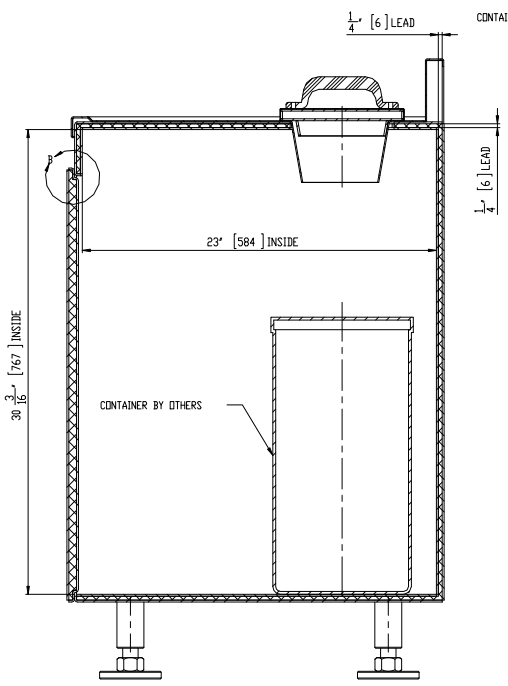
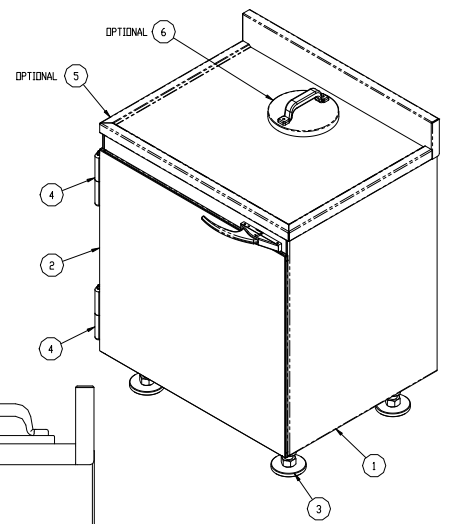
TITLE: \_\_\_\_\_

COMPANY: \_\_\_\_\_

COMMENTS: \_\_\_\_\_



ITEM NO.	QTY	PART NUMBER	DESCRIPTION
1	1	MS-WC-025-01-00	BODY
2	1	MS-DC-025-02-00	DOOR
3	4	MS-DC-05-08-00	LEG
4	2	-----	7" HINGE C/W GREASE NIPPLE
5	1	MS-10-05	OPTIONAL CABINET TOP
6	1	-----	OPTIONAL SHARPS HOLE C/W LEAD FILLED COVER



- NOTES:**
1. ALL UNITS ARE INCHES (mm) UNLESS OTHERWISE SPECIFIED
  2. ITEM 5 (CABINET TOP) IS OPTIONAL
  3. ITEM 6 (SHARPS HOLE & COVER) IS OPTIONAL

TOTAL LEAD WEIGHT	TOTAL CABINET WEIGHT (INCLUDING LEAD)
552 LBS. (251 kg)	927 LBS. (421 kg)

SECTION A-A

REV.	DESCRIPTION	DATE	APPROVER
A	ASSEMBLY TABLE	2/27/2013	MSA

UNLESS OTHERWISE SPECIFIED

ALL DIMENSIONS ARE TO CENTER UNLESS OTHERWISE SPECIFIED

ALL DIMENSIONS ARE TO CENTER UNLESS OTHERWISE SPECIFIED

ALL DIMENSIONS ARE TO CENTER UNLESS OTHERWISE SPECIFIED

PROPERTY OF MARSHIELD

NO PART OF THIS DOCUMENT MAY BE REPRODUCED, STORED, OR TRANSMITTED IN ANY FORM OR BY ANY MEANS WITHOUT THE WRITTEN PERMISSION OF Marshield, a Pure Radco Company

	Custom Radiation Protection Shielding and Storage
TITLE: WASTE CABINET ASSEMBLY	DATE: 2/8/2013
DRAWN BY: M.S.D.	CHECKED BY: M.S.D.
PART NUMBER: MS-WC-025-30.5-24-36.5	SHEET: 1 OF 1