

CUSTOMER APPROVAL ENDORSEMENT

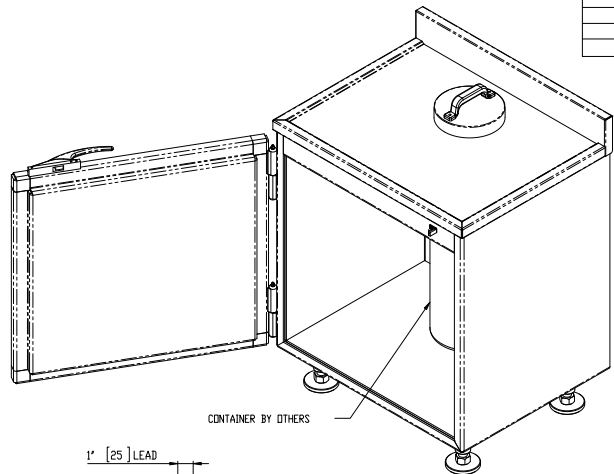
APPROVED AS SHOWN
 APPROVED WITH CHANGES SHOWN

BY: _____ DATE: _____

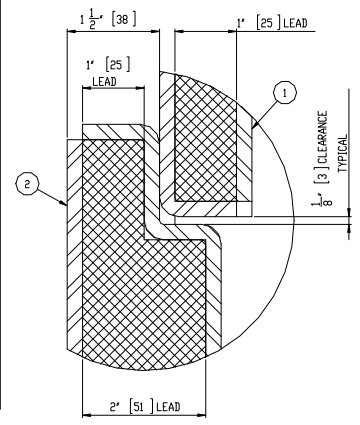
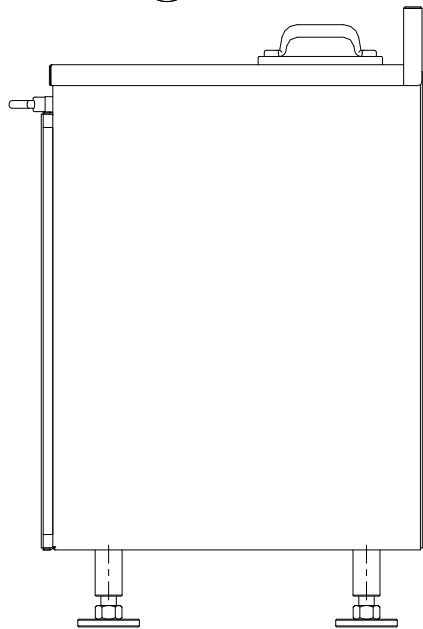
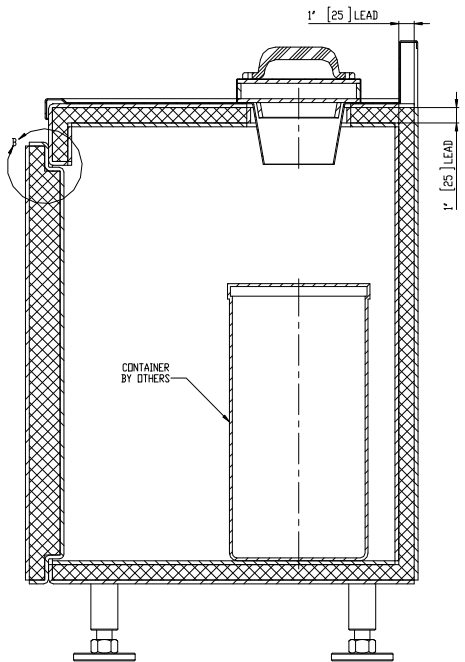
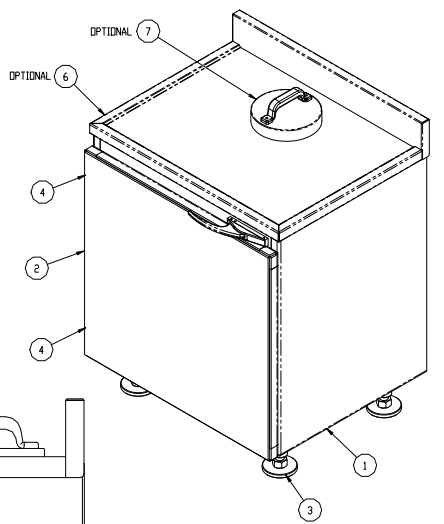
TITLE: _____

COMPANY: _____

COMMENTS: _____



ITEM NO.	QTY	PART NUMBER	DESCRIPTION
1	1	MS-WC-1.0-01-00	BODY
2	1	MS-DC-1.0-02-00	DOOR
3	4	MS-DC-0.5-08-00	LEG
4	2	-----	7" HINGE C/W GREASE NIPPLE
6	1	MS-10-05	OPTIONAL CABINET TOP
7	1	-----	OPTIONAL SHARPS HOLE C/W LEAD FILLED COVER



- NOTES:**
- ALL UNITS ARE INCHES (mm) UNLESS OTHERWISE SPECIFIED
 - ITEM 5 (CABINET TOP) IS OPTIONAL
 - ITEM 6 (SHARPS HOLE & COVER) IS OPTIONAL

TOTAL LEAD WEIGHT	TOTAL CABINET WEIGHT (INCLUDING LEAD)
2,055 LBS. (934 kg)	2,745 LBS. (1,248 kg)

REV.	DESCRIPTION	DATE	APPROVED
A	ASSEMBLY TABLE	2/27/2013	MSB

UNLESS OTHERWISE SPECIFIED

ALL DIMENSIONS ARE TO CENTER UNLESS OTHERWISE SPECIFIED

ALL DIMENSIONS ARE TO CENTER UNLESS OTHERWISE SPECIFIED

PROPERTY OF MARSHIELD, INC. ALL RIGHTS RESERVED. NO PART OF THIS DOCUMENT MAY BE REPRODUCED, STORED, OR TRANSMITTED IN ANY FORM OR BY ANY MEANS WITHOUT THE WRITTEN PERMISSION OF Marshield, Inc. or its authorized representative.

DESIGNED BY: MSB DATE: 2/18/2013

CHECKED BY: MSB DATE: 2/18/2013

DRIVEN BY: MSB DATE: 2/18/2013

SCALE: 1:1

MarShield Custom Radiation Protection Shielding and Storage

TITLE: WASTE CABINET ASSEMBLY

MS-WC-10-30.5-24-36.5

SHEET 1 OF 1