

**CUSTOMER APPROVAL
ENDORSEMENT**

APPROVED AS SHOWN

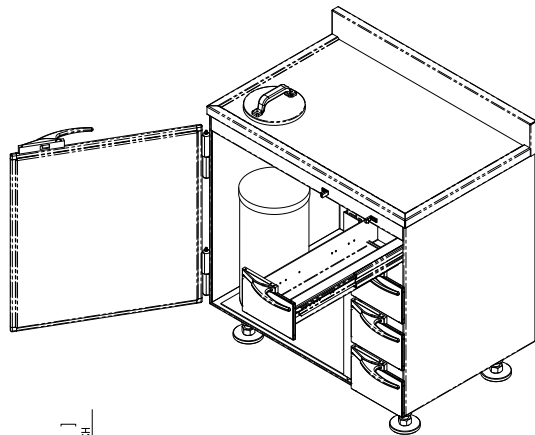
APPROVED WITH CHANGES SHOWN

BY: _____ DATE: _____

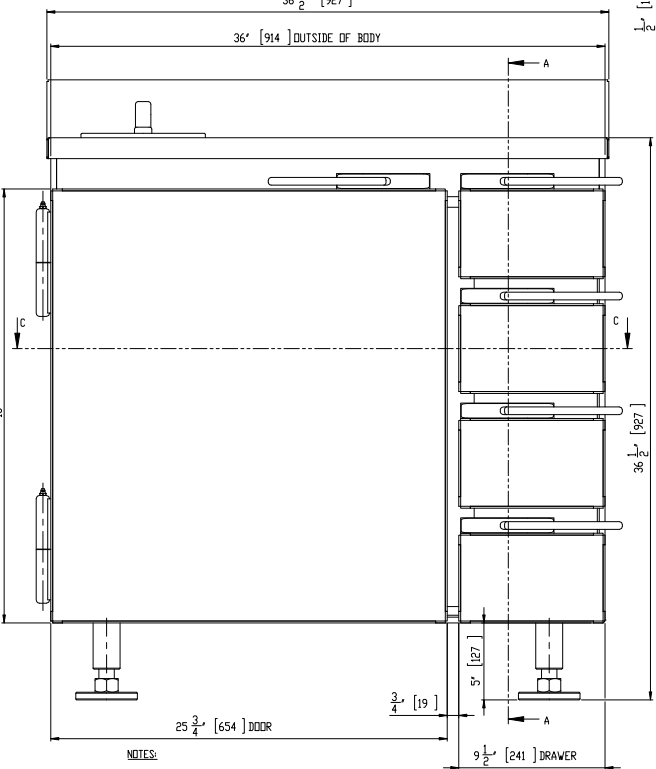
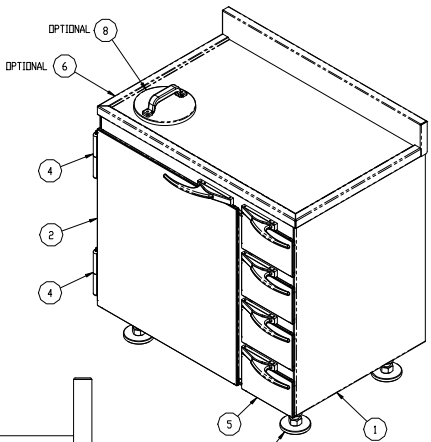
TITLE: _____

COMPANY: _____

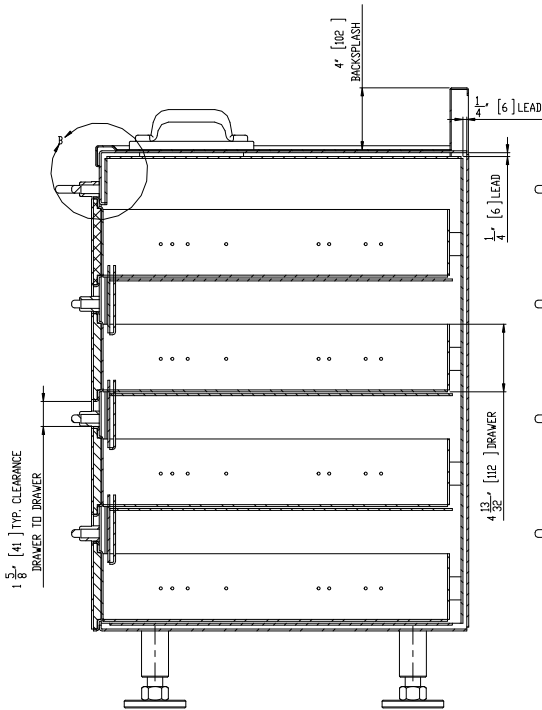
COMMENTS: _____



ITEM NO.	QTY	PART NUMBER	DESCRIPTION
1	1	MS-WSC-025-01-00	BODY
2	1	MS-DSC-025-02-00	DOOR
3	4	MS-DC-025-08-00	LEG
4	2		7\"/>
5	4	MS-DSC-025-03-00	DRAWER
6	1	MS-10-04	OPTIONAL CABINET TOP
8	1	-----	OPTIONAL SHARPS HOLE C/W LEAD FILLED COVER

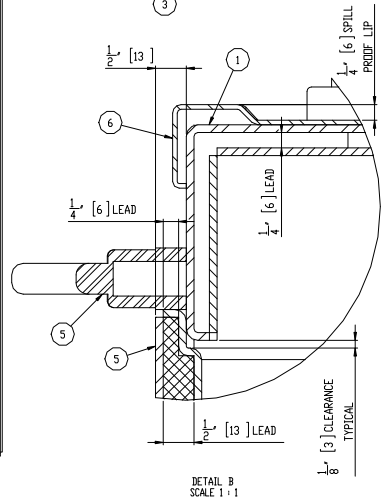
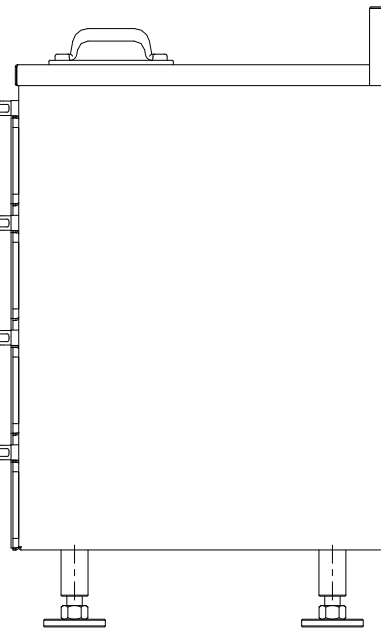


- NOTES:**
- ALL UNITS ARE INCHES (mm) UNLESS OTHERWISE SPECIFIED
 - ITEM 6 (CABINET TOP) IS OPTIONAL
 - ITEM 7 (SHARPS HOLE & COVER) IS OPTIONAL



TOTAL LEAD WEIGHT	TOTAL CABINET WEIGHT (INCLUDING LEAD)
630 LBS. (286 kg)	1,275 LBS. (580 kg)

SECTION A-A



DETAIL B
SCALE 1 : 1

REV.	DESCRIPTION	DATE	APPROVED
A	ADDED WEIGHT TABLE	2/27/2013	MSD
REV.	REVISIONS		

UNLESS OTHERWISE SPECIFIED

ALL DIMENSIONS ARE IN INCHES (mm) UNLESS OTHERWISE SPECIFIED

ALL DIMENSIONS ARE TO CENTER UNLESS OTHERWISE SPECIFIED

ALL DIMENSIONS ARE TO CENTER UNLESS OTHERWISE SPECIFIED

ALL DIMENSIONS ARE TO CENTER UNLESS OTHERWISE SPECIFIED

ALL DIMENSIONS ARE TO CENTER UNLESS OTHERWISE SPECIFIED

		Custom Radiation Protection Shielding and Storage	
WASTE & STORAGE CABINET ASSEMBLY		PART NUMBER: MS-WSC-025-36.5-24-36.5	
DATE:	2/24/2013	REV:	A
SHEET 1 OF 1		SHEET 1 OF 1	