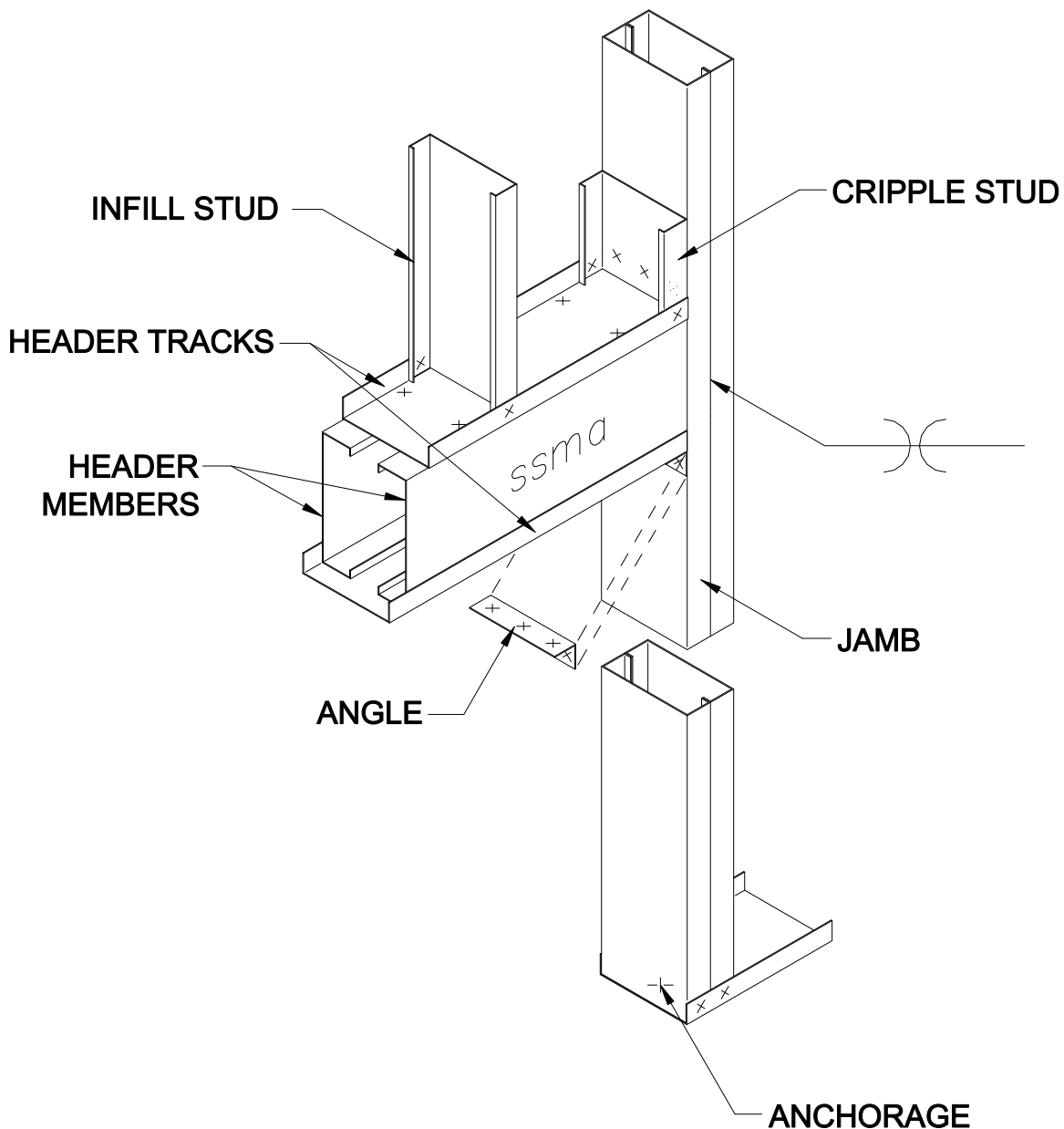


Door - Load Bearing Boxed Header Boxed Jamb



ADVANTAGES:

1. Use of cripple stud to receive head/sill tracks at the jamb studs helps maintain alignment of finishes.
2. Boxed jamb studs welded together reduces material build-up and finish problems.
3. Boxed header members provide backing for attachment of window covering support.
4. Provides better load transfer from jamb stud to base track vs. single jamb stud.

DISADVANTAGES:

1. Requires the clip angle below the head track to be sized to transfer the vertical load from the head into the jamb.
2. Boxed header increases web-crippling reinforcement being required at each end of the header vs. back to back headers.
3. High-end reactions for single web jamb studs may require reinforcement to reduce web-crippling failure.
4. Requires 43 mil and thicker jamb stud material so weld can be made easily.