

# Bridging Double Flat Strap With Blocking

## ADVANTAGES:

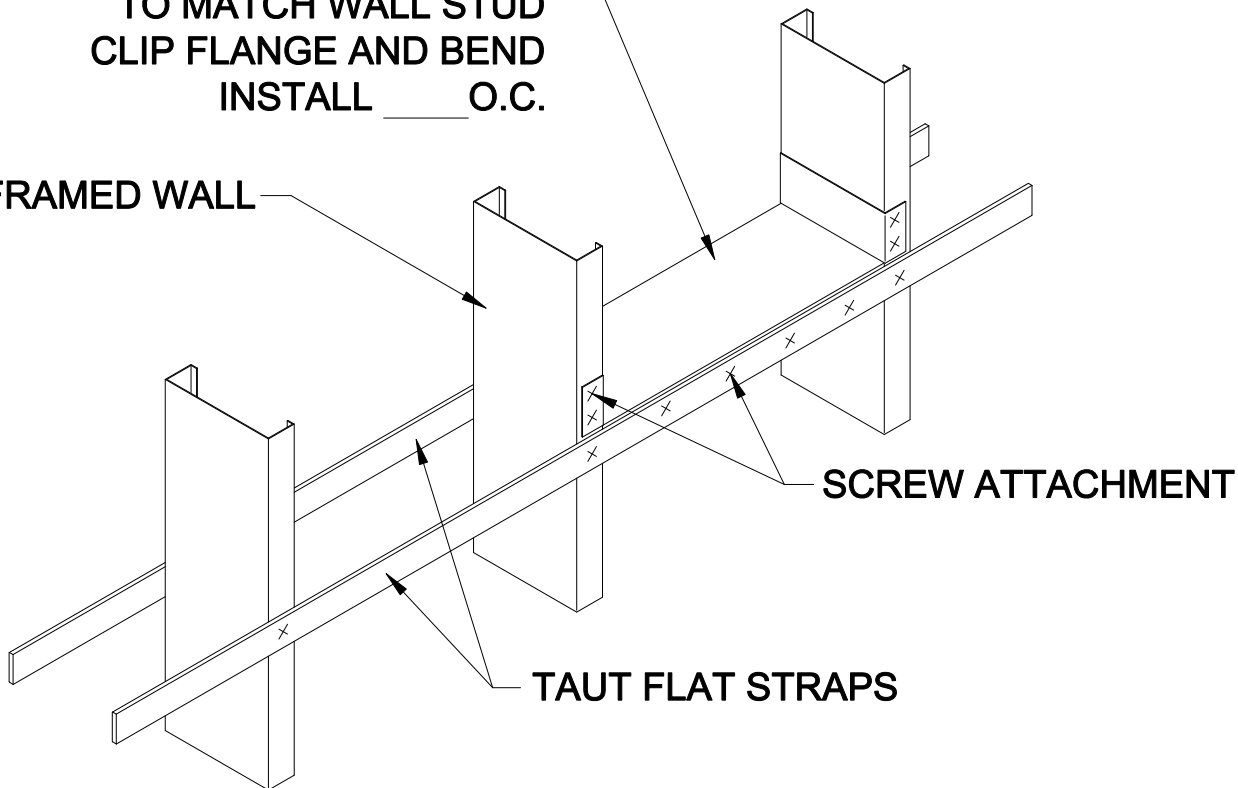
1. Provides good torsional restraint for axially-loaded studs for all stud sizes.
2. Strap layout is independent of punchout location.

## DISADVANTAGES:

1. Requires access to both sides of wall for installation.

TRACK BLOCK PIECE  
TO MATCH WALL STUD  
CLIP FLANGE AND BEND  
INSTALL \_\_\_\_ O.C.

FRAMED WALL



SCREW ATTACHMENT

TAUT FLAT STRAPS