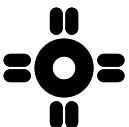
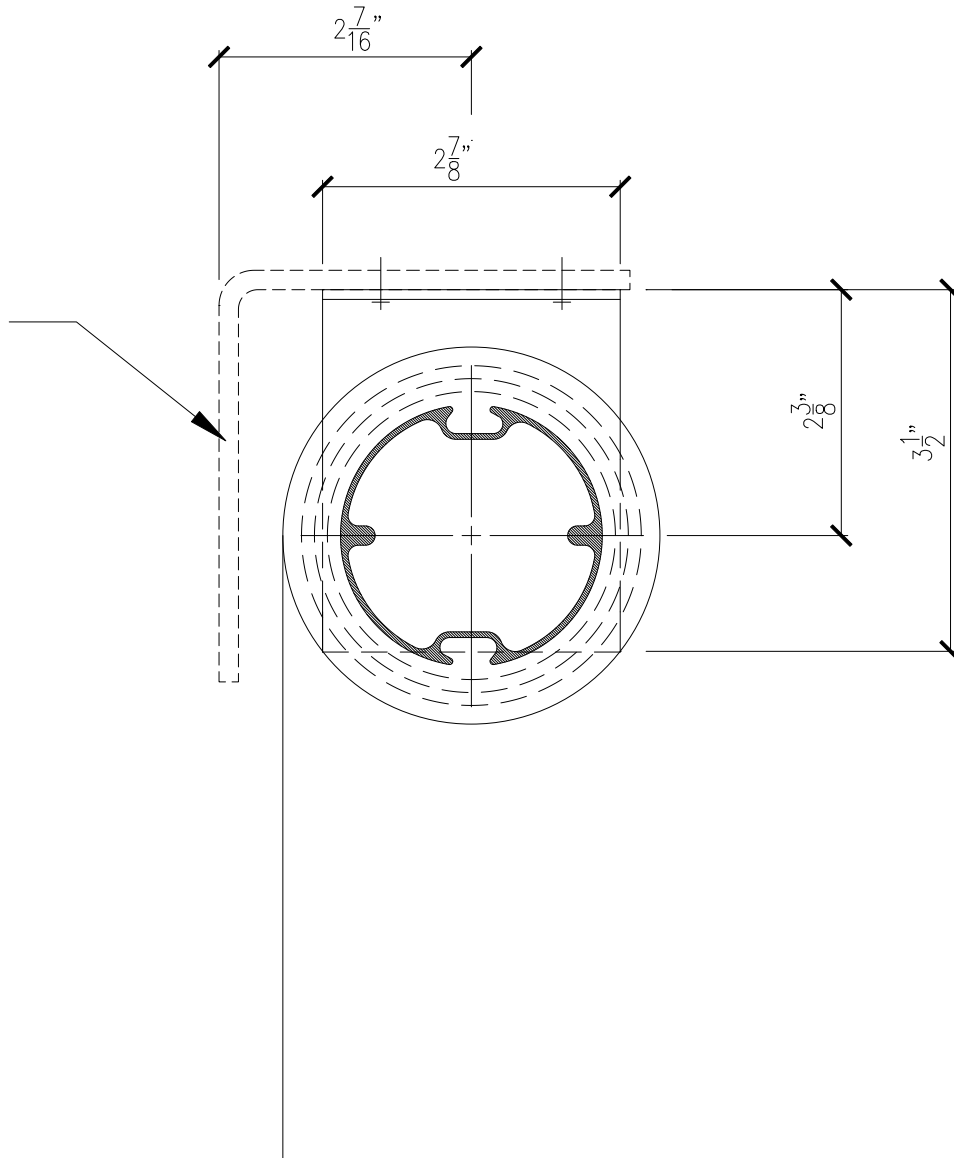


OPTIONAL
WALL MOUNT
ANGLE



MechoShade Systems, Inc.
42-03 35th Street
Long Island City, NY 11101
Tel: 718-729-2020
Fax: 718-729-2941

JOB		1			
TITLE		REV	DATE	BY	DESCRIPTION
ARCHITECT		DATE			JOB No.
DEALER		SCALE			PROPOSAL No.
		SHEET No.	OF	DWG No.	