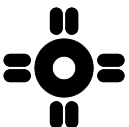
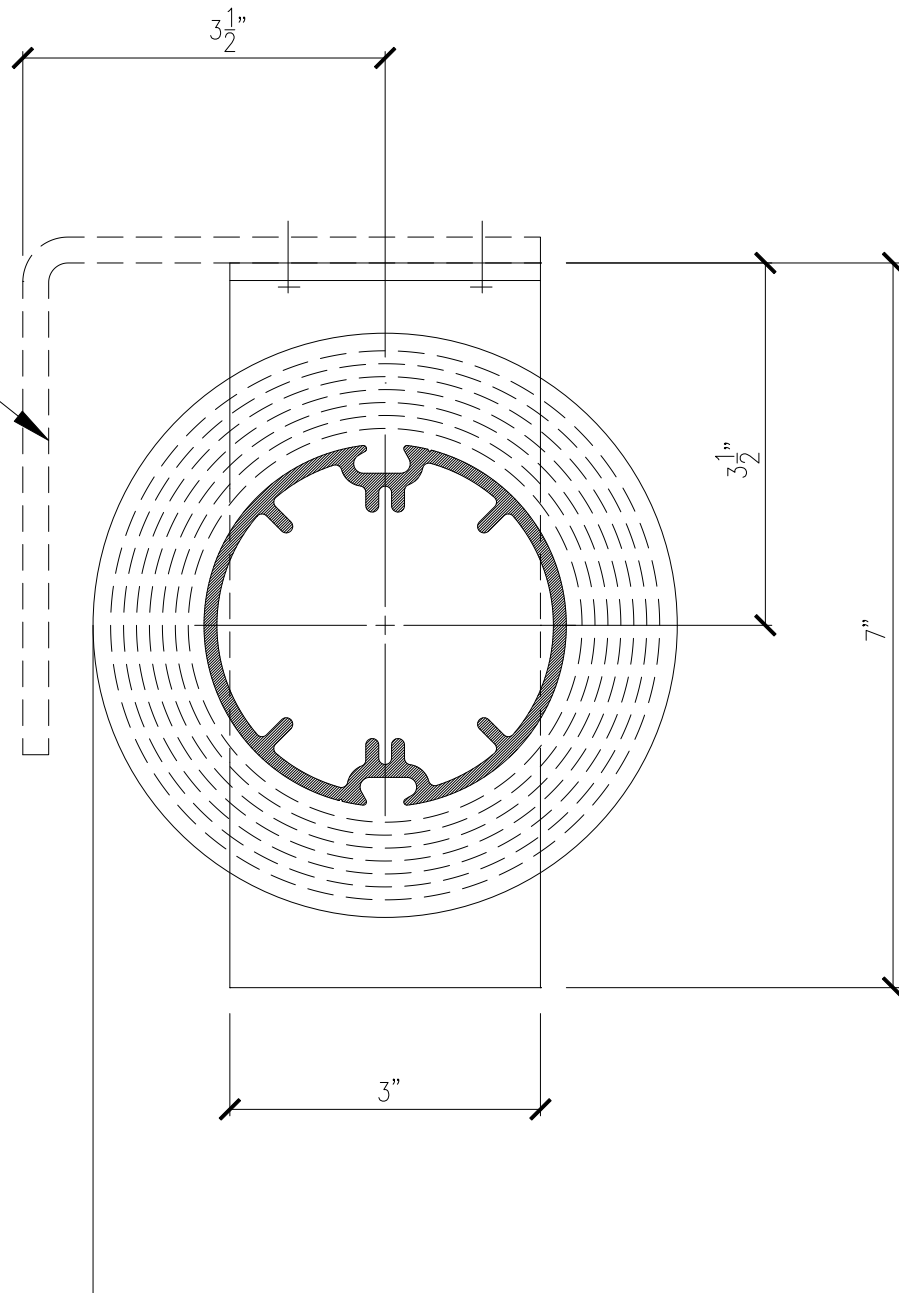


OPTIONAL  
WALL MOUNT  
ANGLE



**MechoShade Systems, Inc.**  
42-03 35th Street  
Long Island City, NY 11101  
Tel: 718-729-2020  
Fax: 718-729-2941

Copyright © 2001 MechoShade Systems Inc.

JOB	1			
TITLE	REV	DATE	BY	DESCRIPTION
ARCHITECT	DATE			JOB No.
DEALER	SCALE	PROPOSAL No.		
	DWN. BY	SHEET No.	OF	DWG No.