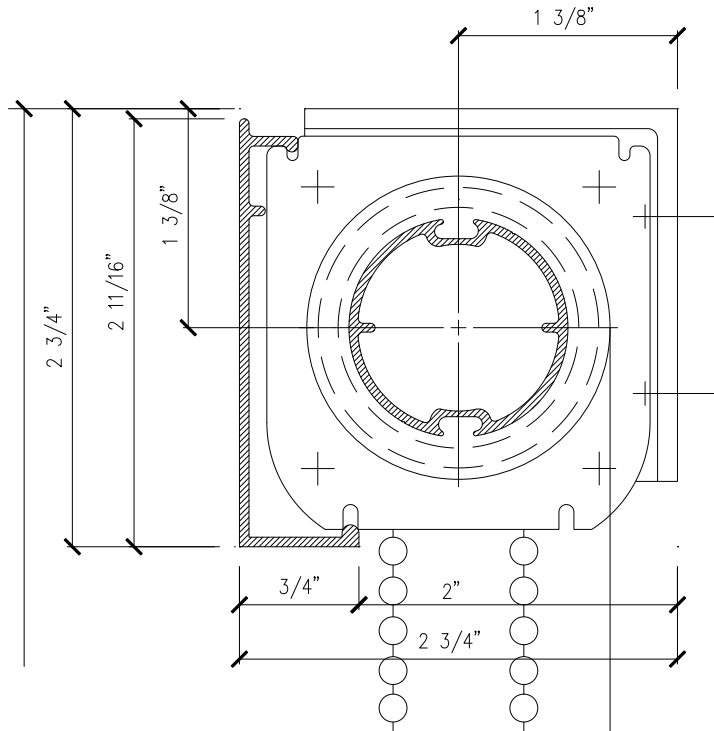
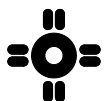


CEILING MOUNTED SHADE



WALL MOUNTED SHADE



MechoShade Systems, Inc.
 42-03 35th Street
 Long Island City, NY 11101
 Tel: 718-729-2020
 Fax: 718-729-2941

Copyright © 2001 MechoShade Systems Inc.

JOB	1			
REV	DATE	BY	DESCRIPTION	
TITLE	DATE		JOB No.	
ARCHITECT	SCALE	PROPOSAL No.		
DEALER	DWN. BY	SHEET No.	OF	DWG No.