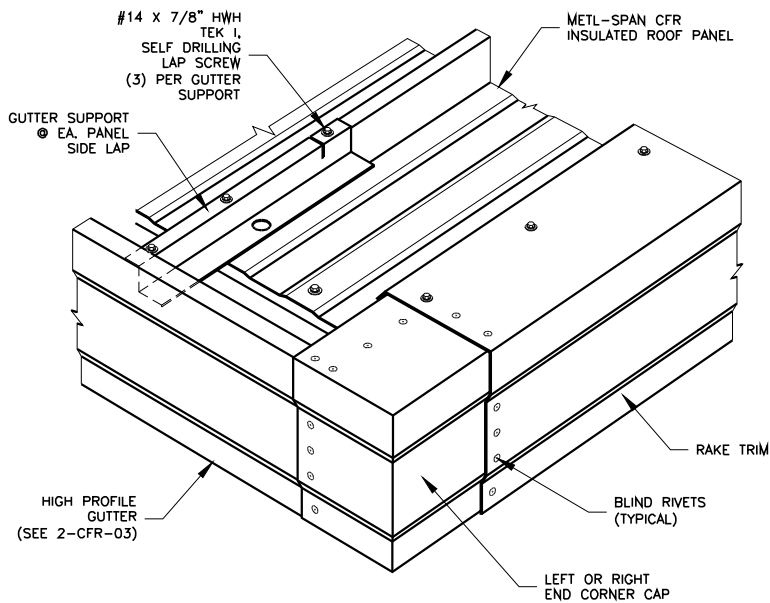


END CAP DETAIL



CORNER CAP DETAIL

ROOF THICKNESS TR	GUTTER END CAP	GUTTER CORNER BOX RIGHT	GUTTER CORNER BOX LEFT
2"	F3427	F5204-R	F5204-L
2.5"	F3427	F5204-R	F5204-L
3"	F3427	F5204-R	F5204-L
4"	F3428	F5205-R	F5205-L
5"	F3428	F5205-R	F5205-L
6"	F3429	F5203-R	F5203-L

COMMERCIAL AND INDUSTRIAL

CFR CORNER AND END-CAP DETAIL WITH STANDARD GUTTER

2-CFR-12

© 2016 Metl-Scan, an NCI Building Systems company. All rights reserved.

DATE: Nov. 23, 2016