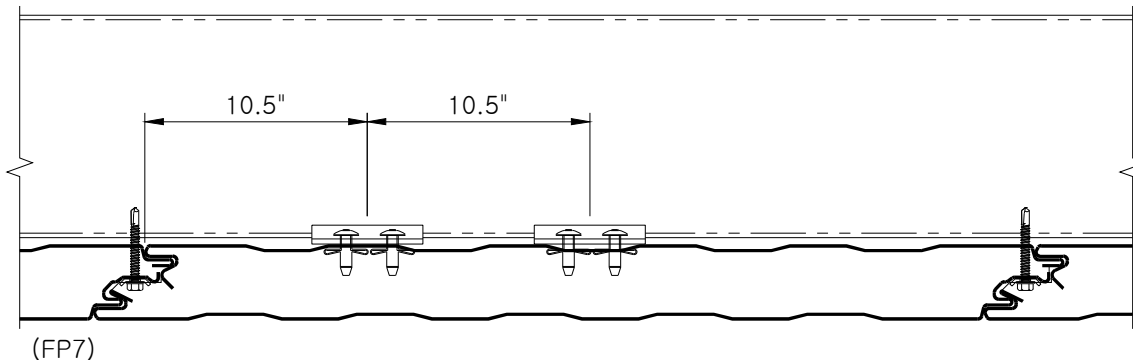


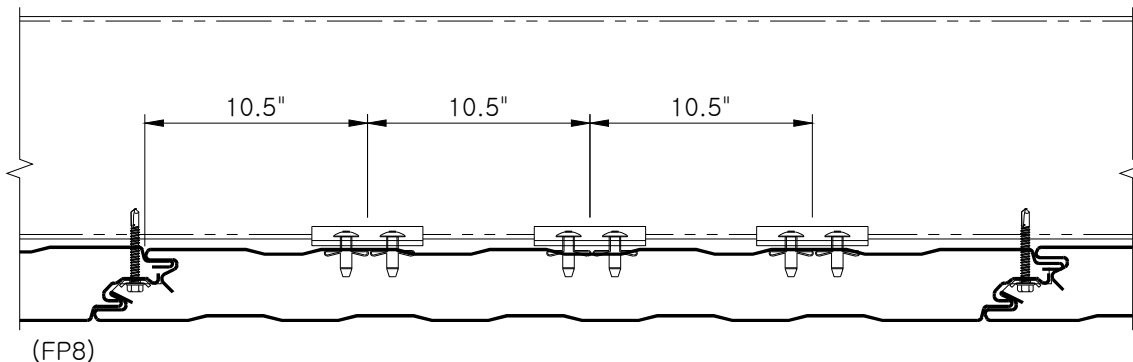
DIMENSION IS FROM
FEMALE EDGE +/- 1.5"



FASTENING PATTERN 7
SIDE JOINT FASTENING
AND TWO GIRT CLIPS WITH FOUR DOME HEAD
BULB-TITE® RIVETS

INSTALL RIVET THROUGH GIRT FLANGE
INTO MESA WHERE THE SKIN MAKES
CONTACT WITH THE STEEL

DIMENSION IS FROM
FEMALE EDGE +/- 1.5"



FASTENING PATTERN 8
SIDE JOINT FASTENING
WITH THREE GIRT CLIPS WITH SIX DOME HEAD
BULB-TITE® RIVETS

INSTALL RIVET THROUGH GIRT FLANGE
INTO MESA WHERE THE SKIN MAKES
CONTACT WITH THE STEEL

(CONSULT FACTORY FOR FASTENER REQUIREMENTS NEEDED TO MEET SPECIFIC LOAD REQUIREMENTS)