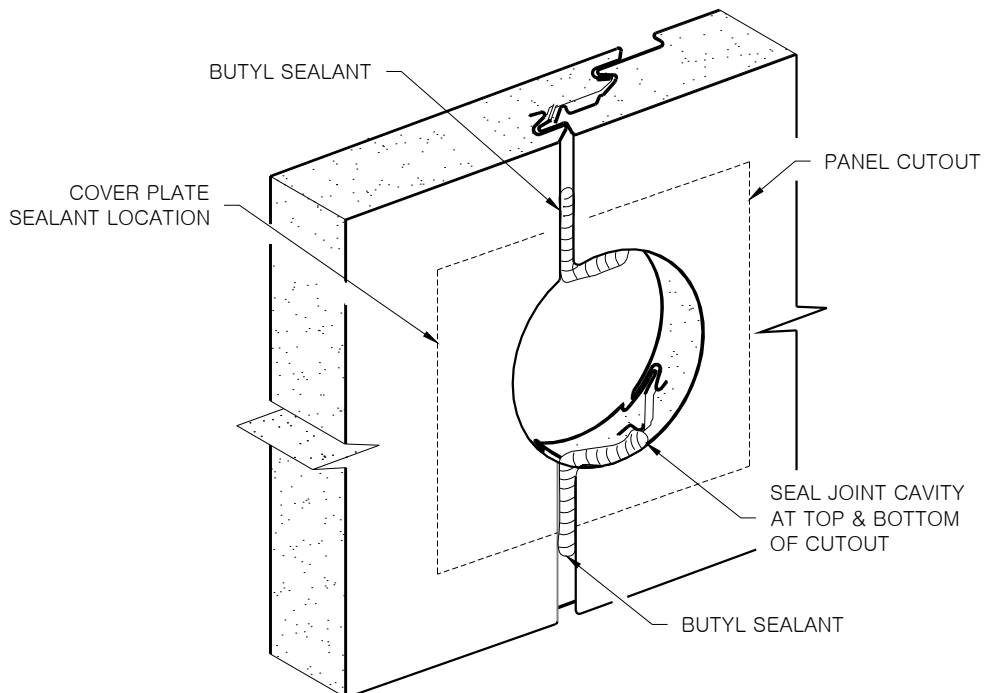


EXTERIOR WEATHER SEAL (NEW PENETRANT, EXISTING WALL)



INTERIOR AIR/VAPOR SEAL (NEW PENETRANT, EXISTING WALL)