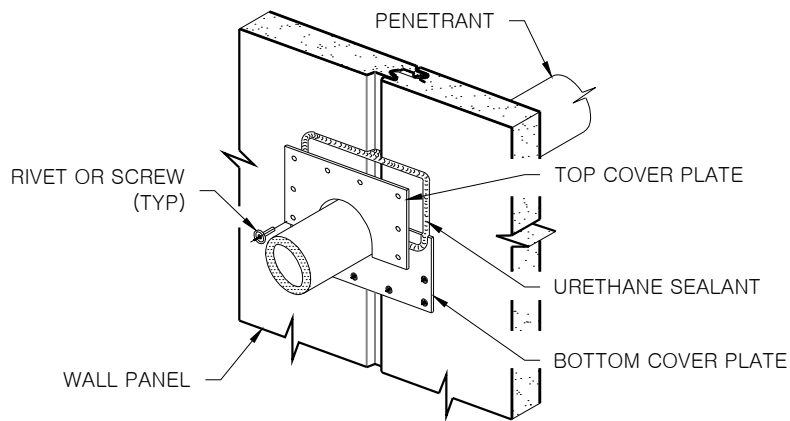
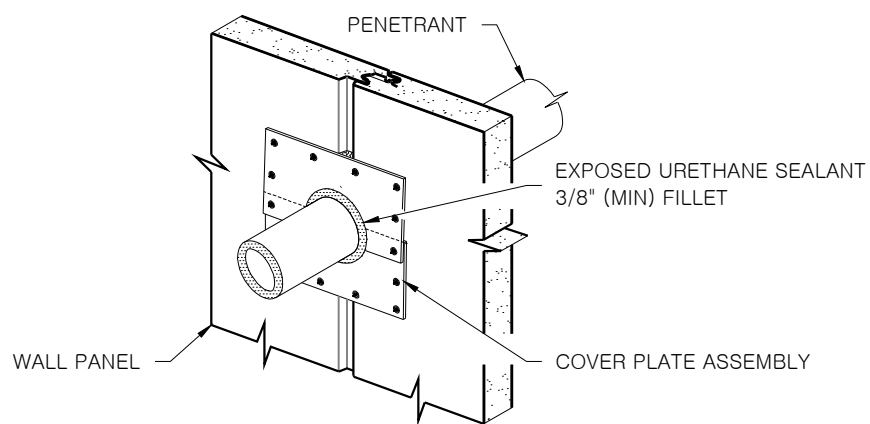


BOTTOM COVER PLATE INSTALLATION



TOP COVER PLATE INSTALLATION



PENETRATION PERIMETER SEAL