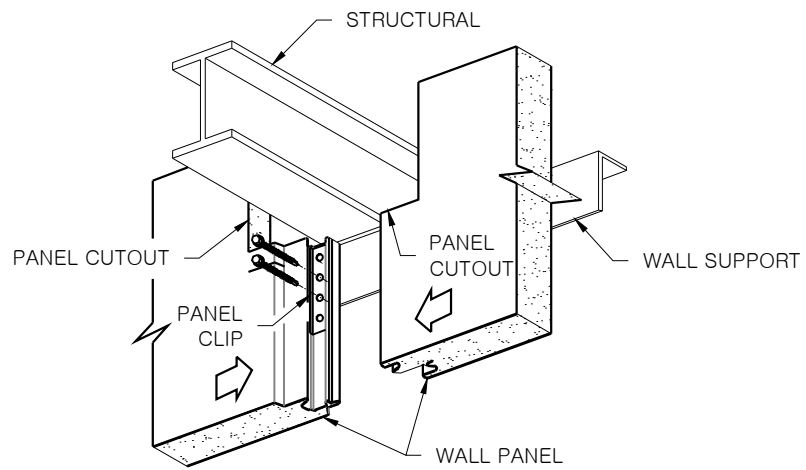
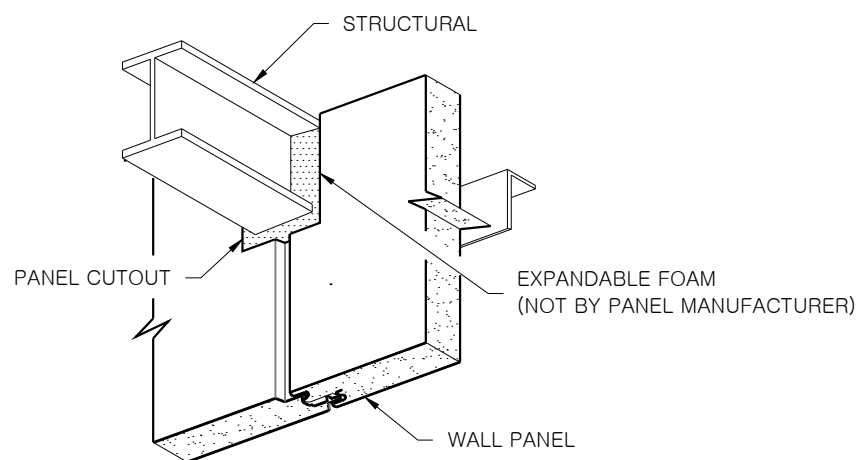


PANEL CUTOUT (AT CENTER OF PANEL)



PANEL CUTOUT (AT PANEL JOINT)



FILLER INSULATION