

HANGER CLIP DETAIL

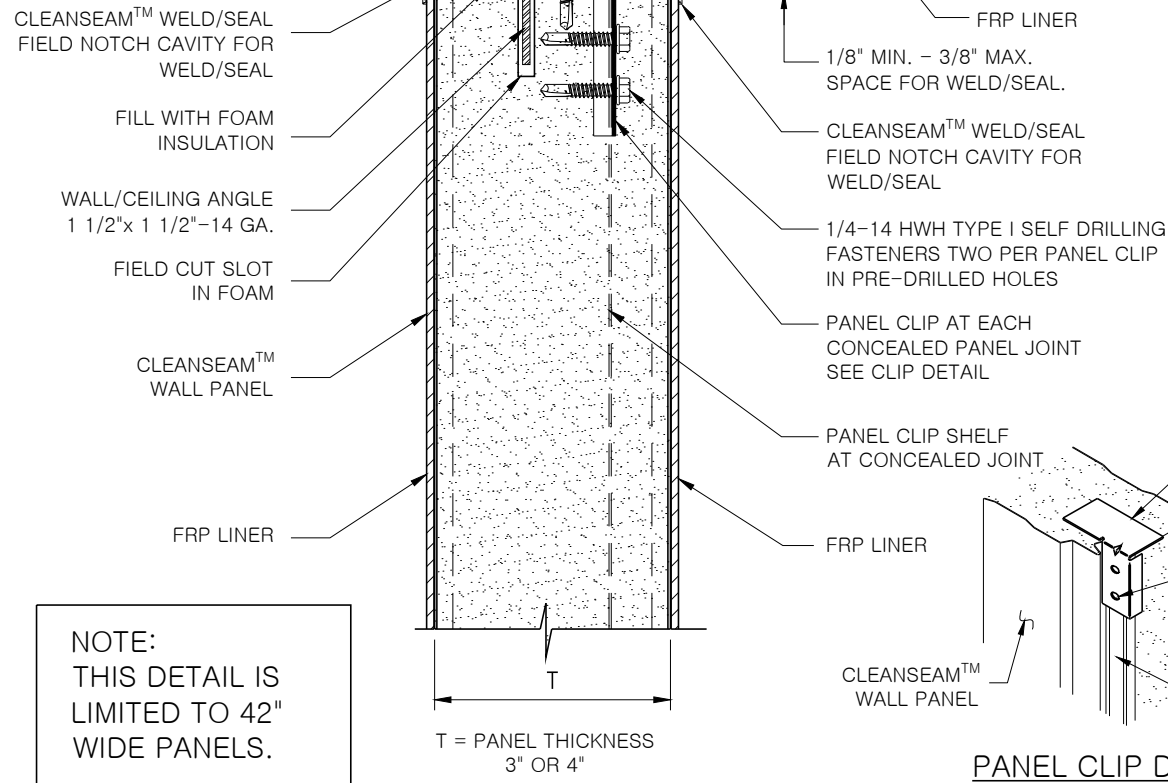
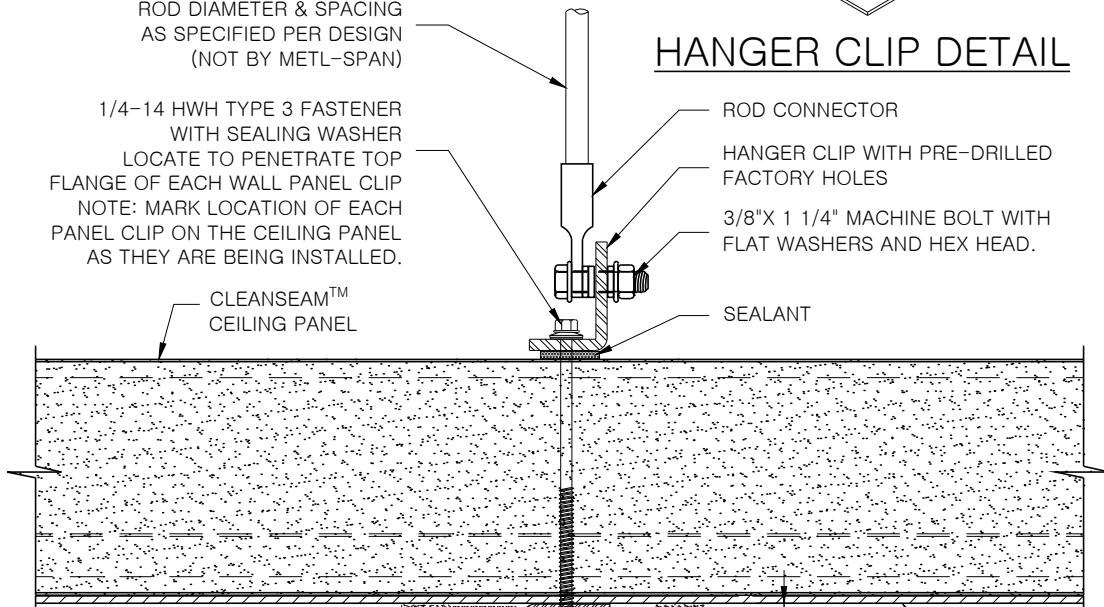
HANGER ROD ASSEMBLY
ROD DIAMETER & SPACING
AS SPECIFIED PER DESIGN
(NOT BY METL-SPAN)

1/4-14 HWH TYPE 3 FASTENER
WITH SEALING WASHER
LOCATE TO PENETRATE TOP
FLANGE OF EACH WALL PANEL CLIP
NOTE: MARK LOCATION OF EACH
PANEL CLIP ON THE CEILING PANEL
AS THEY ARE BEING INSTALLED.

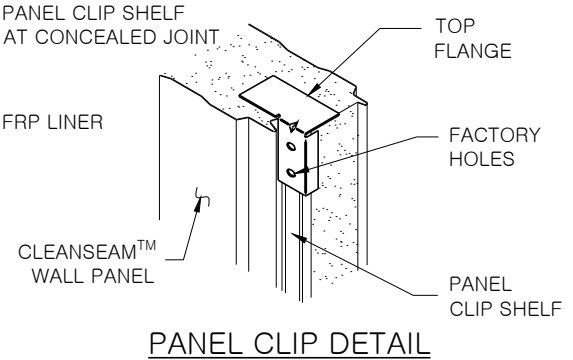
ROD CONNECTOR

HANGER CLIP WITH PRE-DRILLED
FACTORY HOLES

3/8"X 1 1/4" MACHINE BOLT WITH
FLAT WASHERS AND HEX HEAD.



NOTE:
THIS DETAIL IS
LIMITED TO 42"
WIDE PANELS.



PANEL CLIP DETAIL

**APPLICATION:
PROCESSING**

CLEANSEAM™
PARTITION TO CEILING DETAIL
CONCEALED FRAMING

CSM-CG-08
DATE: Nov. 9, 2016