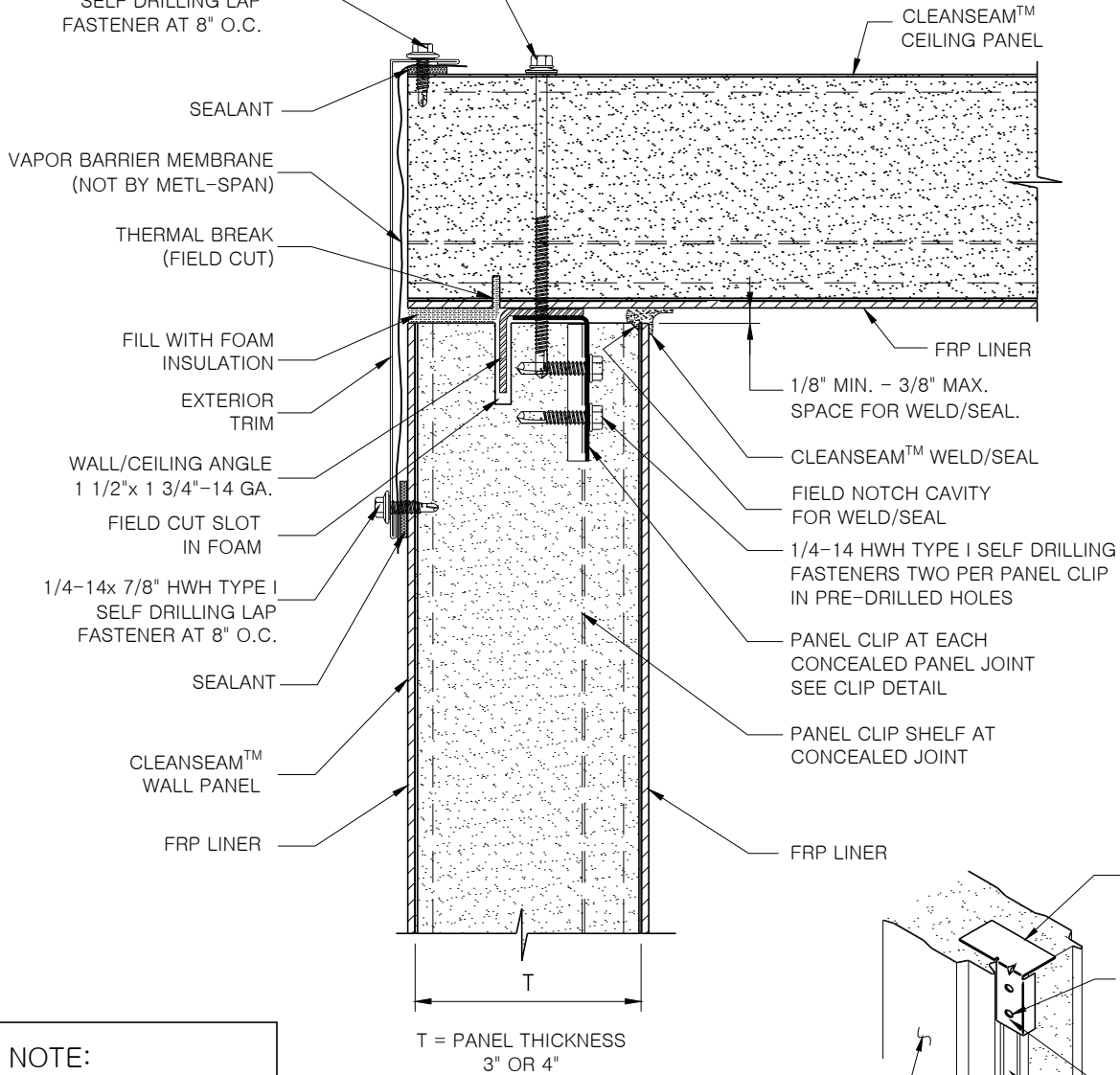
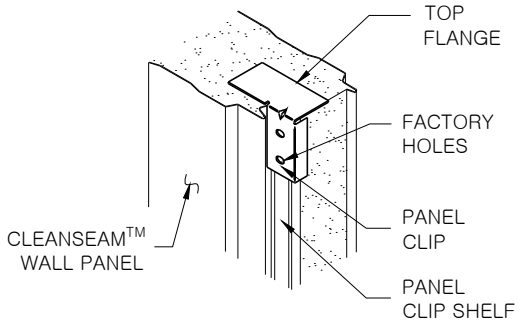


1/4-14 HWH TYPE 3 FASTENER WITH SEALING WASHER FASTENER LOCATED TO PENETRATE TOP FLANGE OF EACH PANEL CLIP  
 NOTE: MARK LOCATION OF PANEL CLIP ON THE CEILING PANEL AS THEY ARE BEING INSTALLED.

1/4-14x 7/8" HWH TYPE 1 SELF DRILLING LAP FASTENER AT 8" O.C.



NOTE:  
 THIS DETAIL IS LIMITED TO 42" WIDE PANELS.



PANEL CLIP DETAIL

APPLICATION:  
 PROCESSING

CLEANSEAM™  
 PARTITION TO CEILING DETAIL  
 CONCEALED FRAMING

CSM-CG-13  
 DATE: Nov. 9, 2016