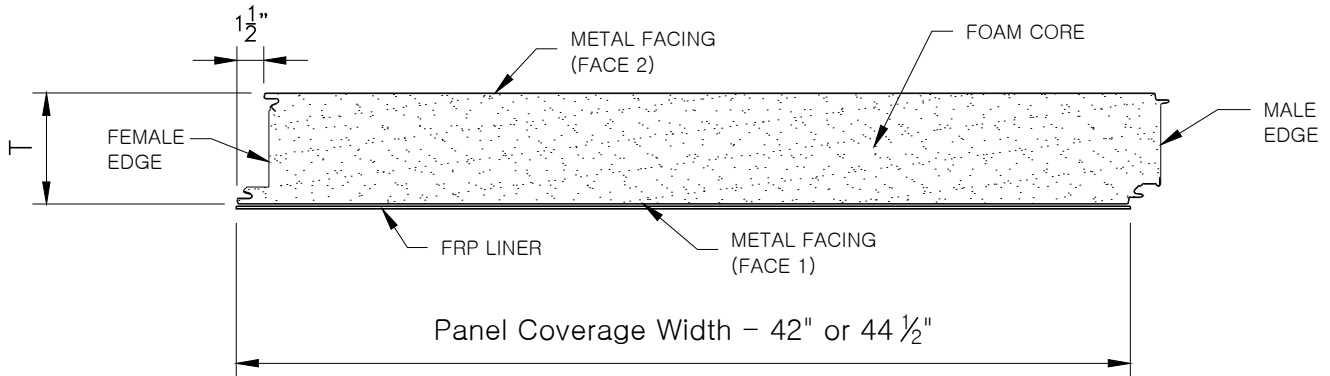
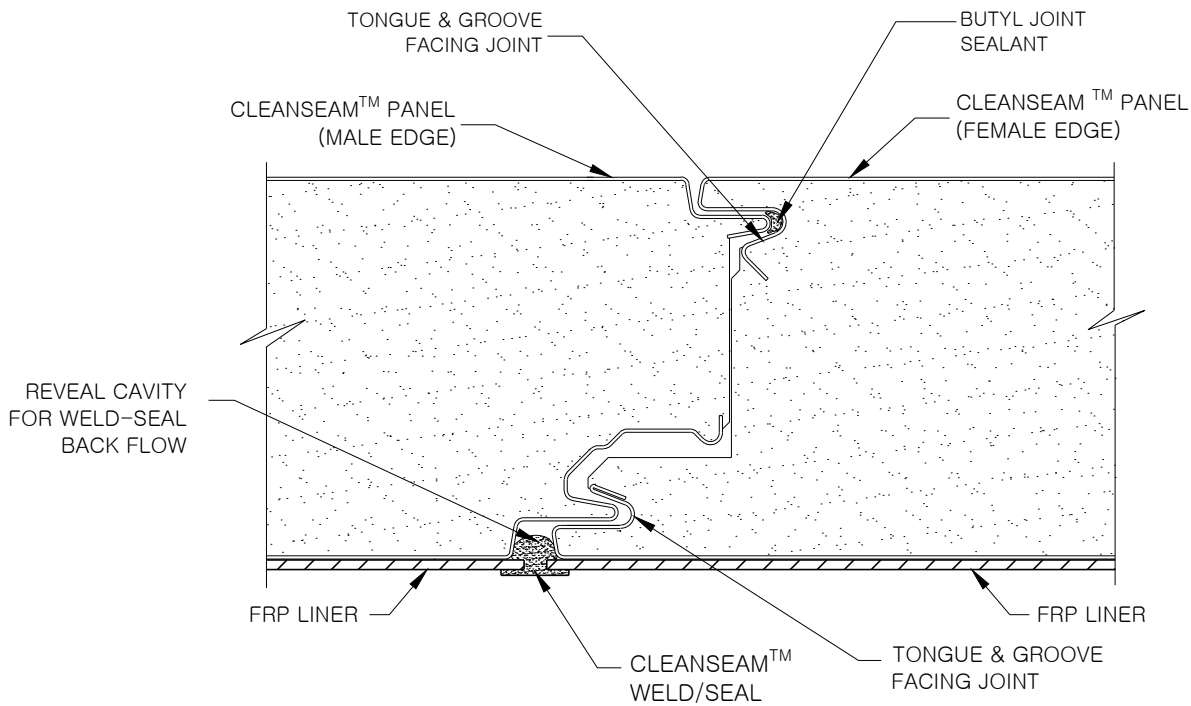


T = PANEL THICKNESS  
2", 2 1/2", 3" OR 4"



**CleanSeam™ Wall & Ceiling Panel**  
Cross Section



**CleanSeam™ - Wall & Ceiling Panel**  
Joint Section

**APPLICATION:  
PROCESSING**

**CLEANSEAM™  
PANEL SECTION AND JOINT DETAIL**

**CSM-JT-01**  
DATE: Nov. 9, 2016