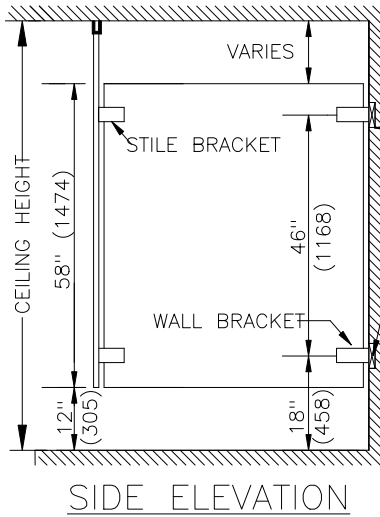
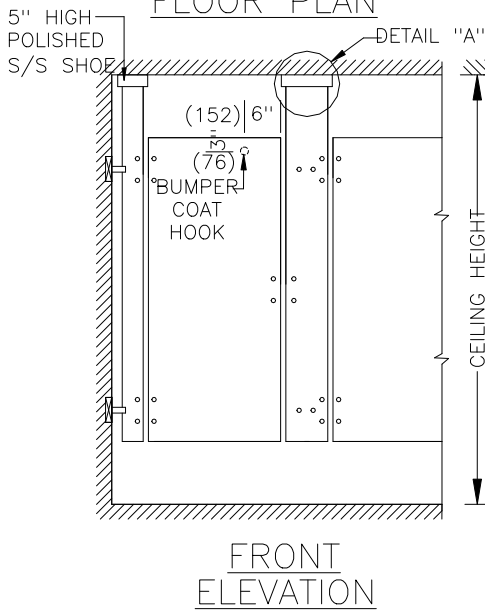
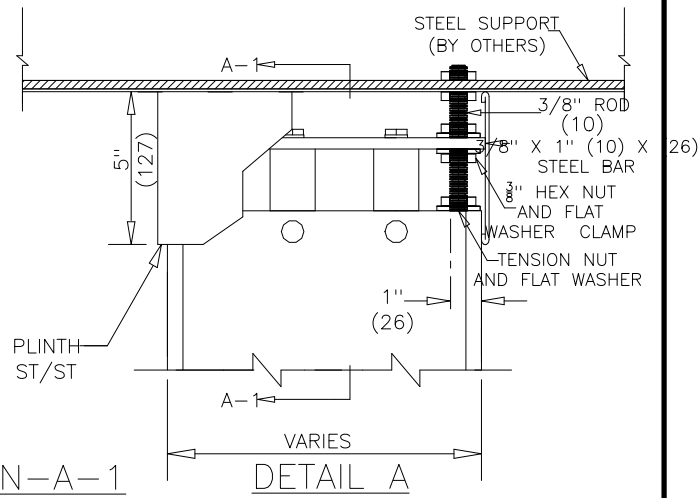
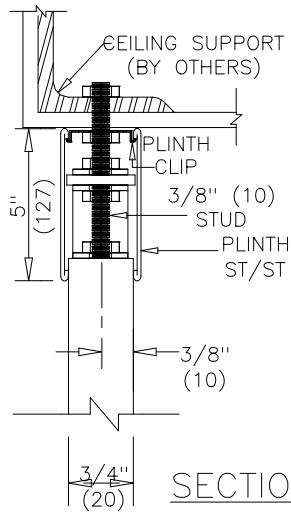
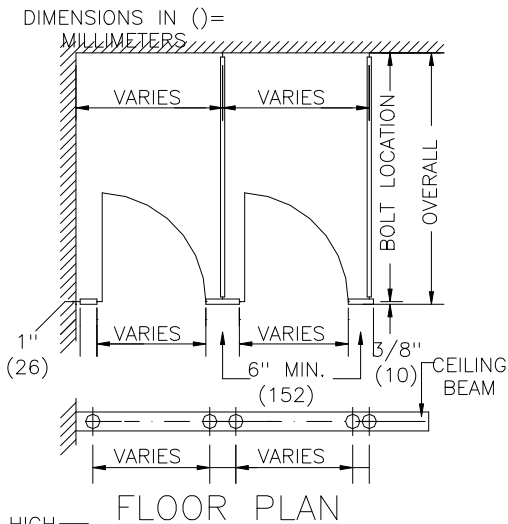
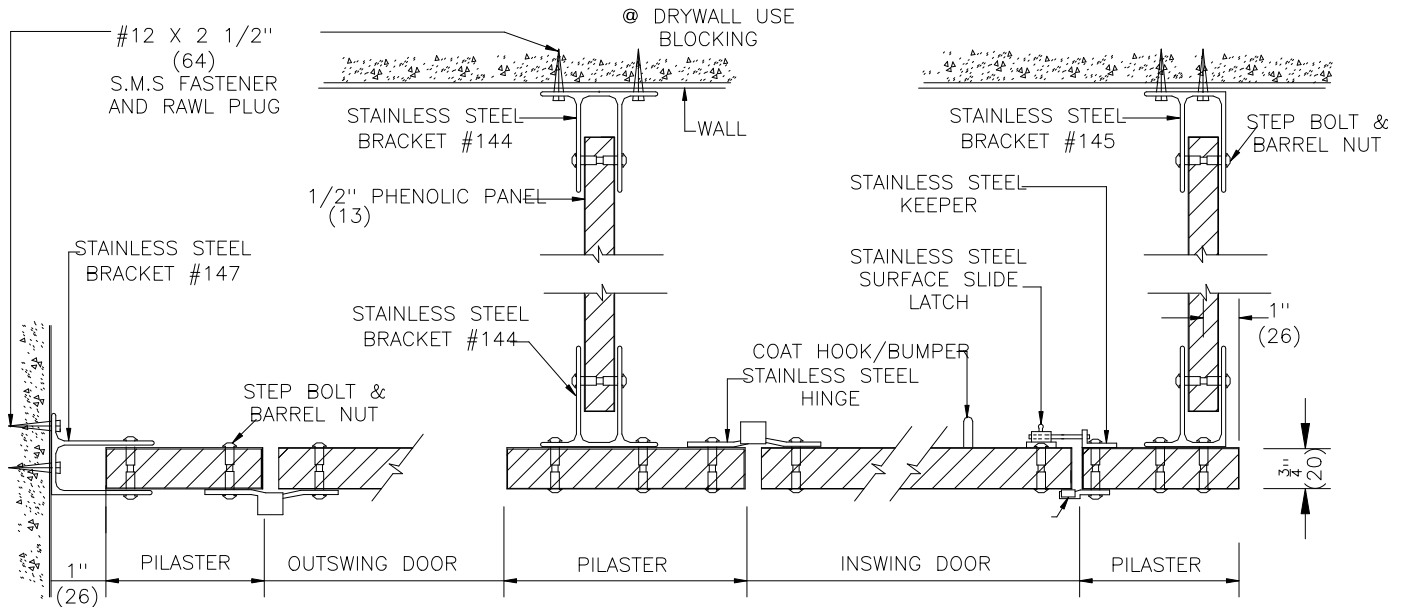


DIMENSIONS IN () =
MILLIMETERS



Blocking (by others) shown for standard CPZ stirrup brackets. for full height or any other bracket, consult with Metpar distributors for ~~NOTES~~ NOTES on this drawing and installation detail intended to show general construction and specification information. see shop drawings for actual job layout and specific job conditions which supercede any conflicting information on this sheet.



METPAR CORP

95 State Street, Westbury, NY 11590 FORUM

Tel: 516-333-2600 Fax: 516-333-2618

SOLID PHENOLIC

STANDARD DETAIL - CH700

CH700PH.DWG

07/29/09