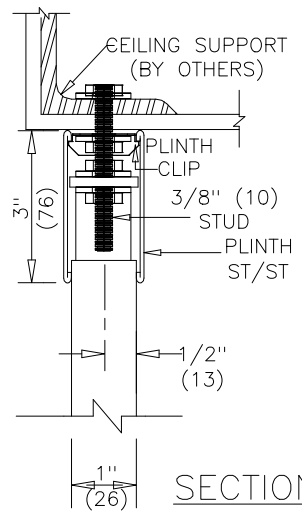
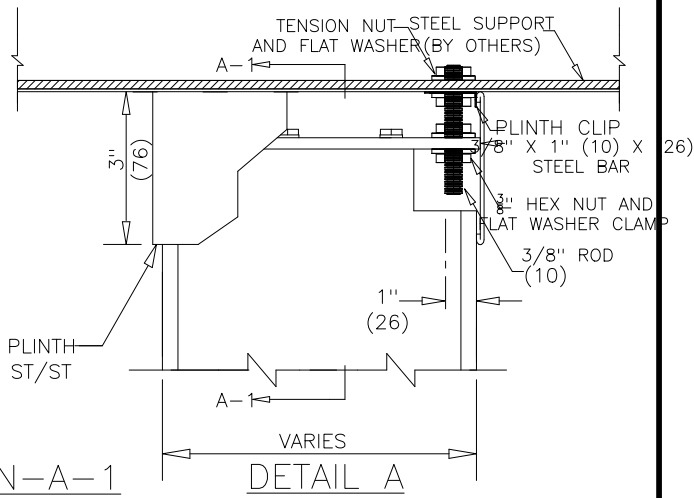


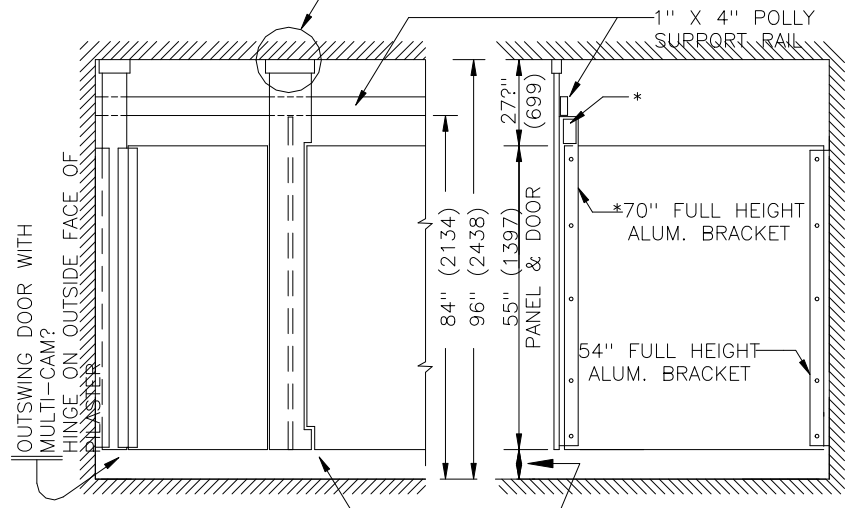
FLOOR PLAN



SECTION-A-1



DETAIL A



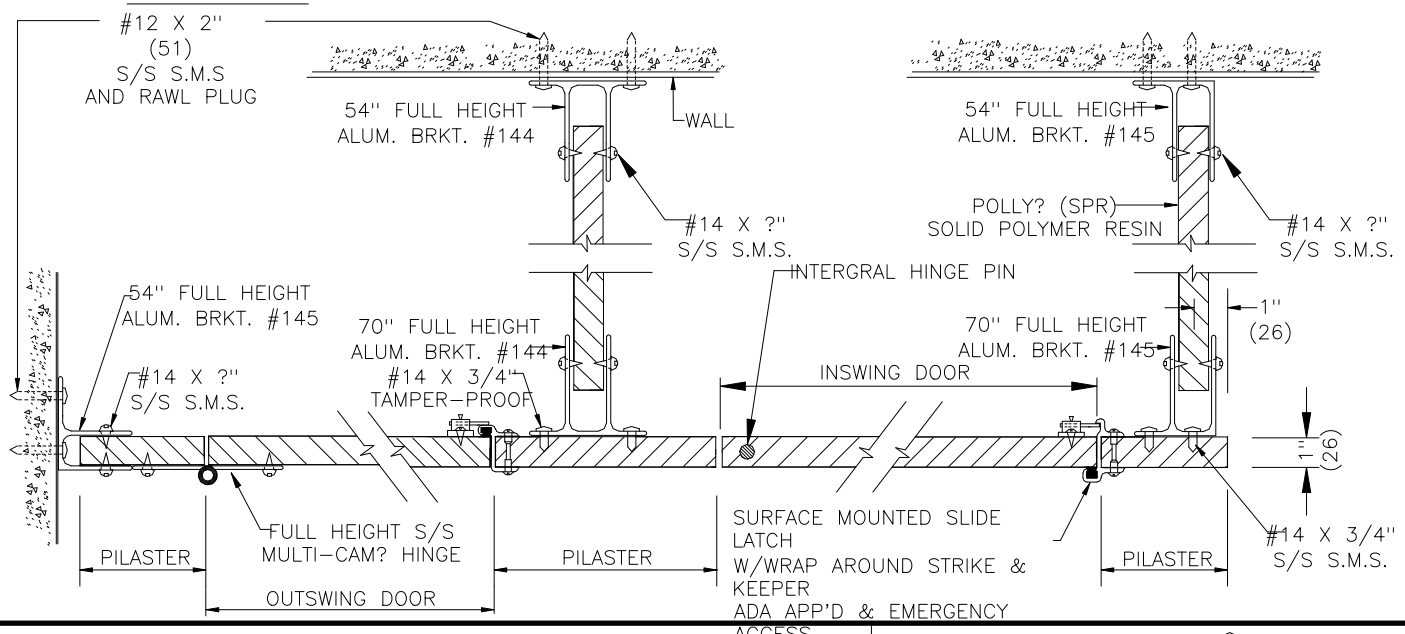
FRONT ELEVATION

SIDE ELEVATION

NOTES: This drawing is a standard detail intended to show general construction and specification information. see shop drawings for actual job layout and specific job conditions which supercede any conflicting information on this sheet. *BRACKET BEHIND PILASTER WILL BE 70" LONG WITH A 2" X 16" POLLY FILLER ABOVE PANEL.

INSWING DOOR SET INTO NOTCHED PILASTER WITH INTEGRAL PIN HINGE.

© DRYWALL USE BLOCKING



METPAR CORP POLLY®
 95 State Street, Westbury, NY 11590
 Tel: 516-333-2600 Fax: 516-333-2618
 Visit us on the web at <http://www.Metpar.com>
 STANDARD DETAIL CH700 THE FORUM
 07/29/09