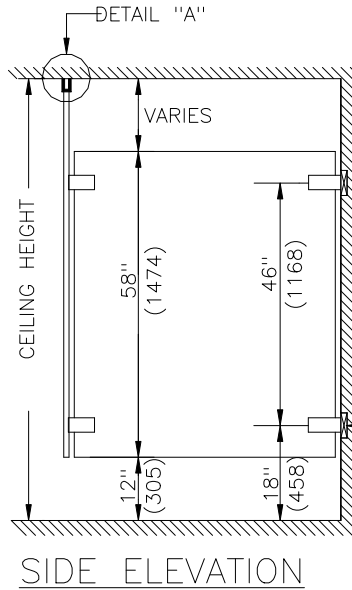
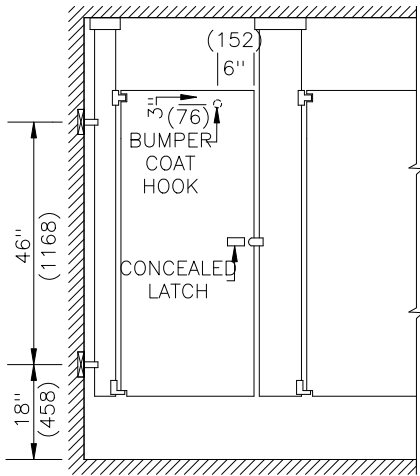
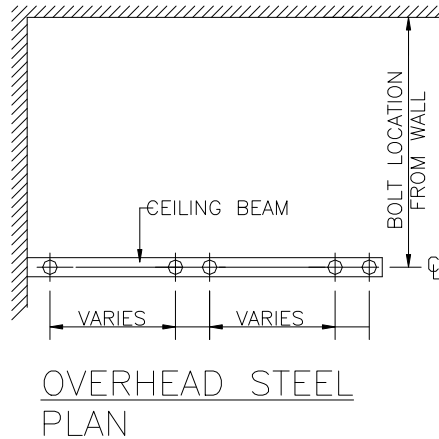
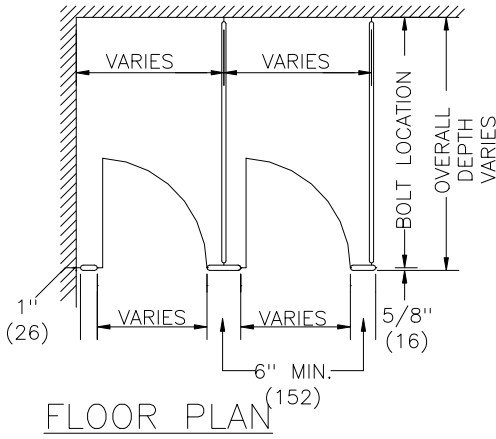
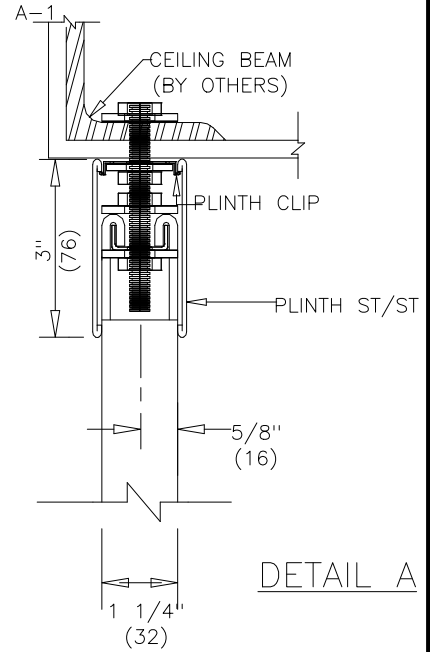


DIMENSIONS IN () = MILLIMETERS

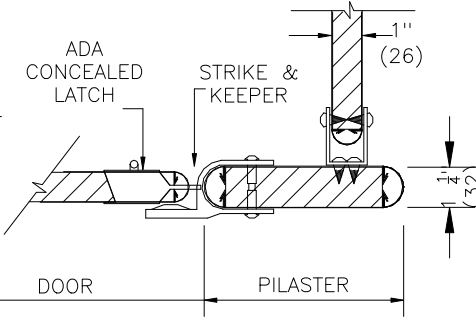
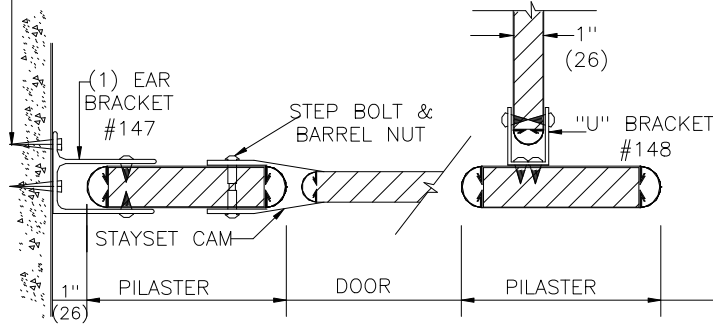
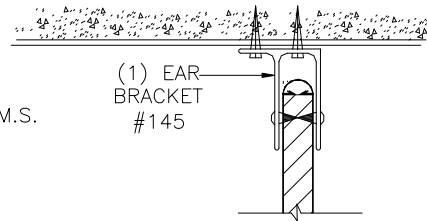
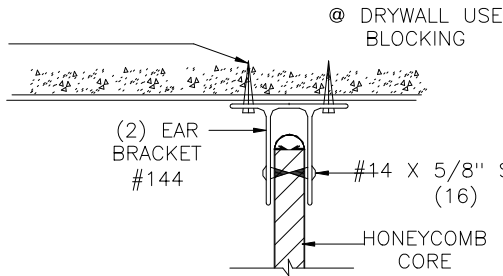
NOTES: This drawing is a standard detail intended to show general construction and specification information. See shop drawings for actual job layout and specific job conditions which supercede any conflicting information on this sheet.



Blocking (by others) shown for standard CPZ stirrup brackets. for full height or any other bracket, consult with Metpar distributors for blocking information and locations.



#12 X 2 1/2" (64) S.M.S FASTENER AND RAWL PLUG



METPAR
 95 State Street, Westbury,
 Tel: 516-333-8000 Fax:
 516-333-2618
 Sales@Metpar.com

STAINLESS STEEL
 Standard Typical Detail -
 CH700

CH700SS.DWG The Forum 05/18/09