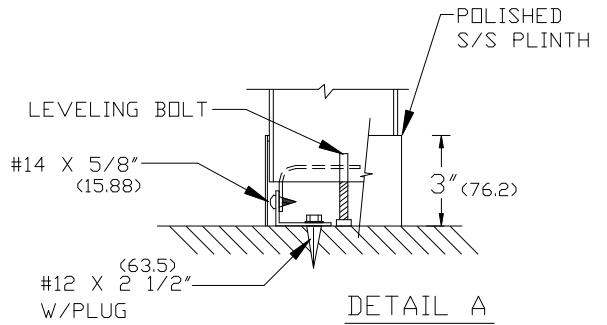
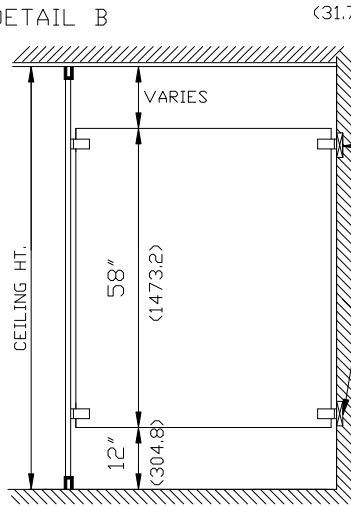
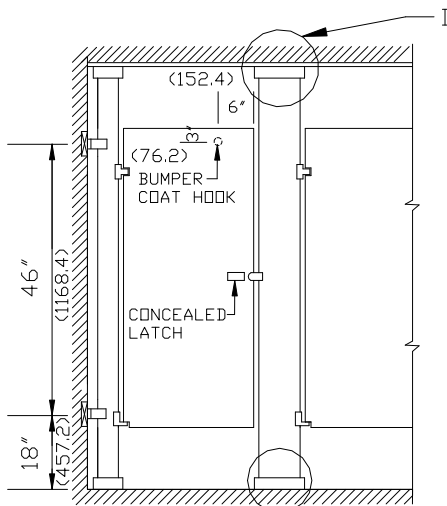
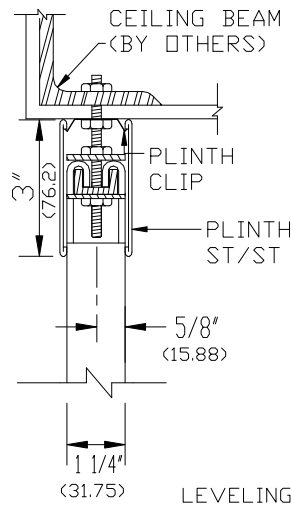
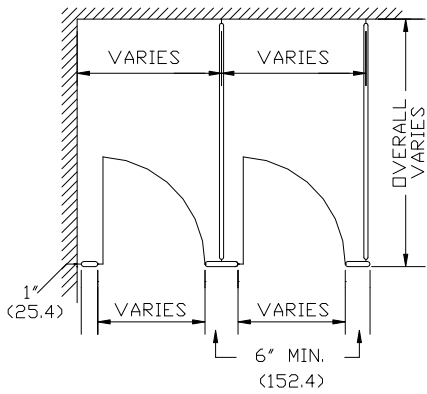


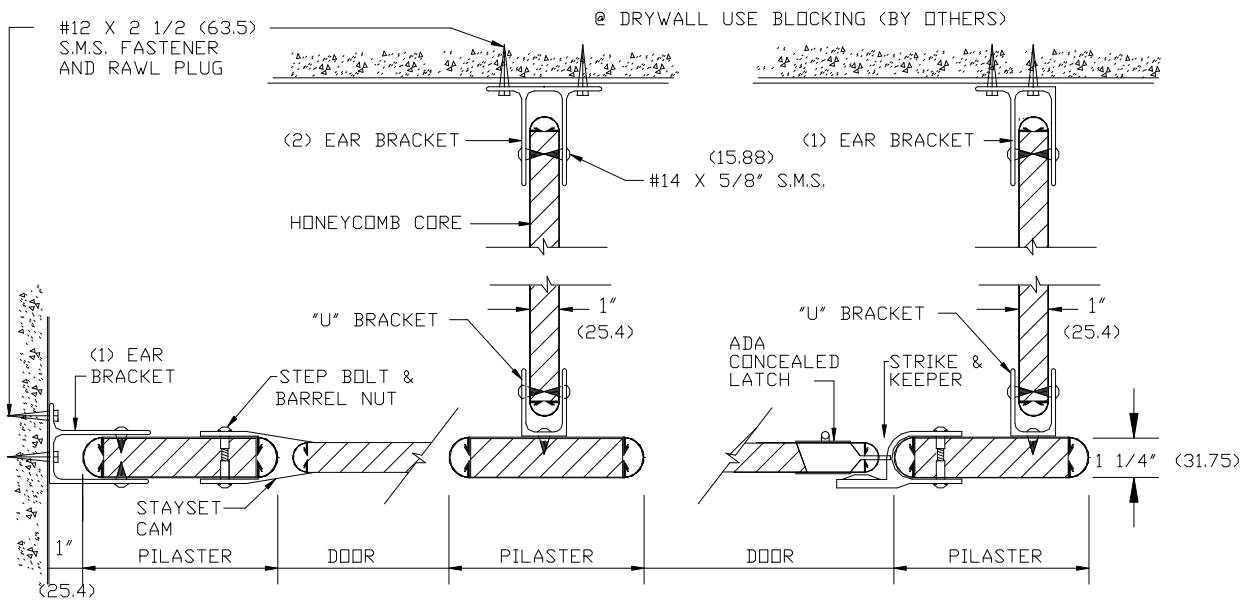
DIMENSIONS IN () = MILLIMETERS



BLOCKING BY OTHERS (TYP) @ DRYWALL

NOTE:

THIS DRAWING IS A STANDARD DETAIL INTENDED TO SHOW GENERAL CONSTRUCTION AND SPECIFICATION INFORMATION. SEE SHOP DRAWINGS FOR ACTUAL JOB LAYOUT AND SPECIFIC JOB CONDITIONS WHICH SUPERCEDE ANY CONFLICTING INFORMATION ON THIS DETAIL SHEET.



METPAR CORP

95 State Street, Westbury, NY 11590

Tel: 516-333-2600 Fax: 516-333-2618

STAINLESS STEEL

SPECIAL DETAIL FP BOTTOM CH TOP

FLOOR TO CEILING

FCPPCHSS.DWG

5/00