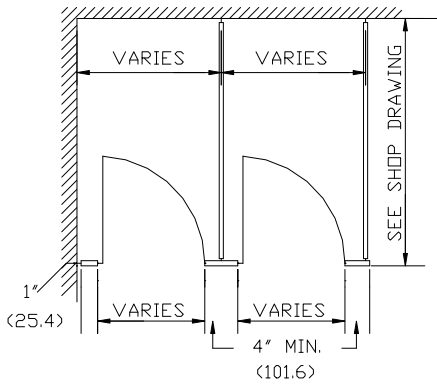
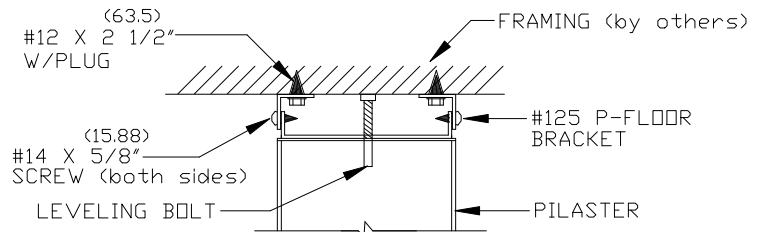


DIMENSIONS IN () = MILLIMETERS



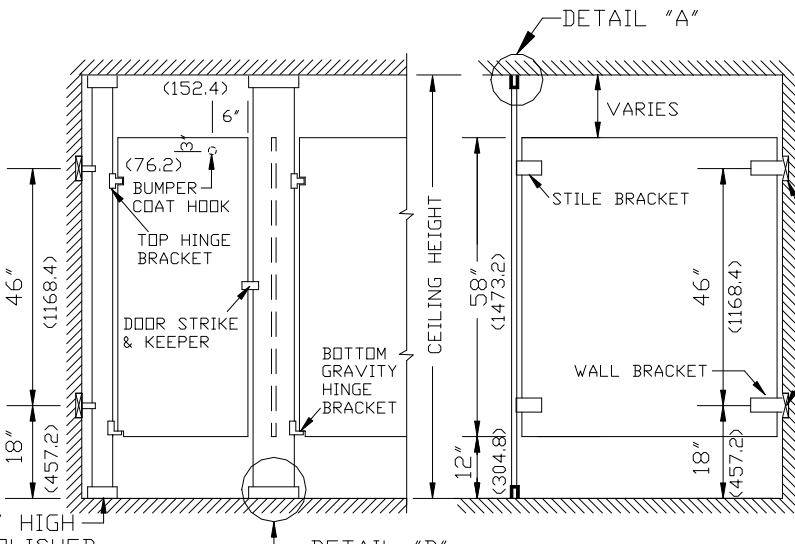
FLOOR PLAN



DETAIL A

NOTE:

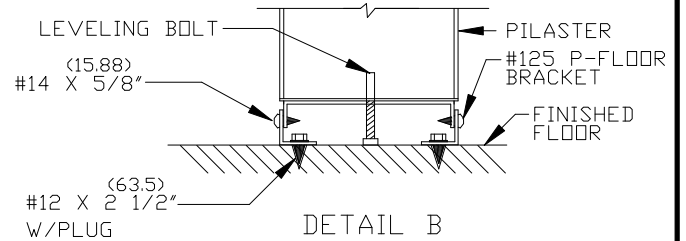
THIS DRAWING IS A STANDARD DETAIL INTENDED TO SHOW GENERAL CONSTRUCTION AND SPECIFICATION INFORMATION. SEE SHOP DRAWINGS FOR ACTUAL JOB LAYOUT AND SPECIFIC JOB CONDITIONS WHICH SUPERCEDE ANY CONFLICTING INFORMATION ON THIS DETAIL SHEET.



FRONT ELEVATION

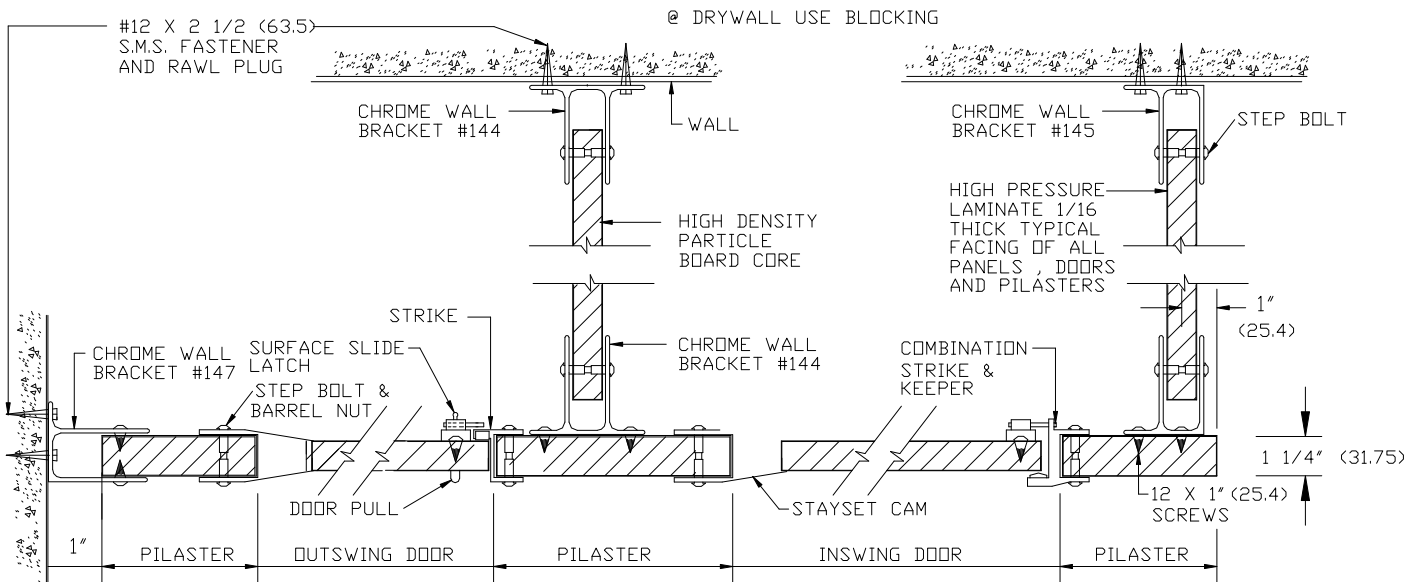
SIDE ELEVATION

BLOCKING BY OTHERS (TYP) @ DRYWALL



DETAIL B

3" HIGH POLISHED ST/ST SHOE



METPAR CORP PLASTIC LAMINATE

95 State Street, Westbury, NY 11590 SPECIAL DETAIL FP BOTTOM FP TOP

Tel: 516-333-2600 Fax: 516-333-2618 FLOOR TO CEILING

FCPPFPPE.DWG

5/00