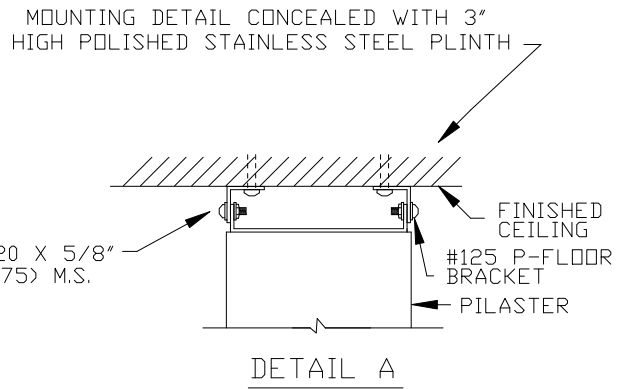
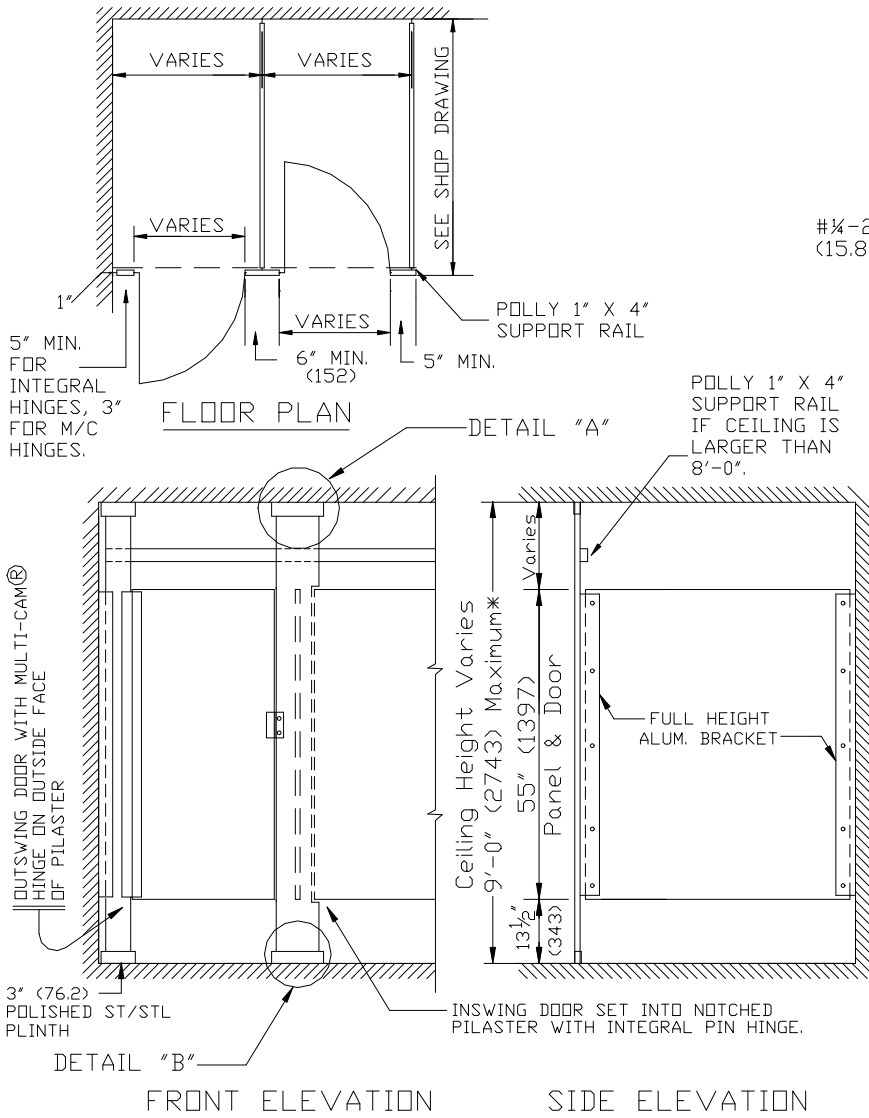
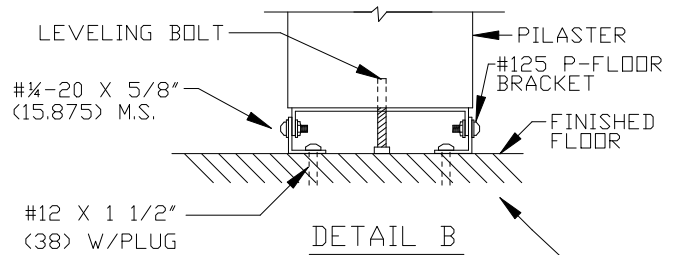


DIMENSIONS IN ( ) = MILLIMETERS

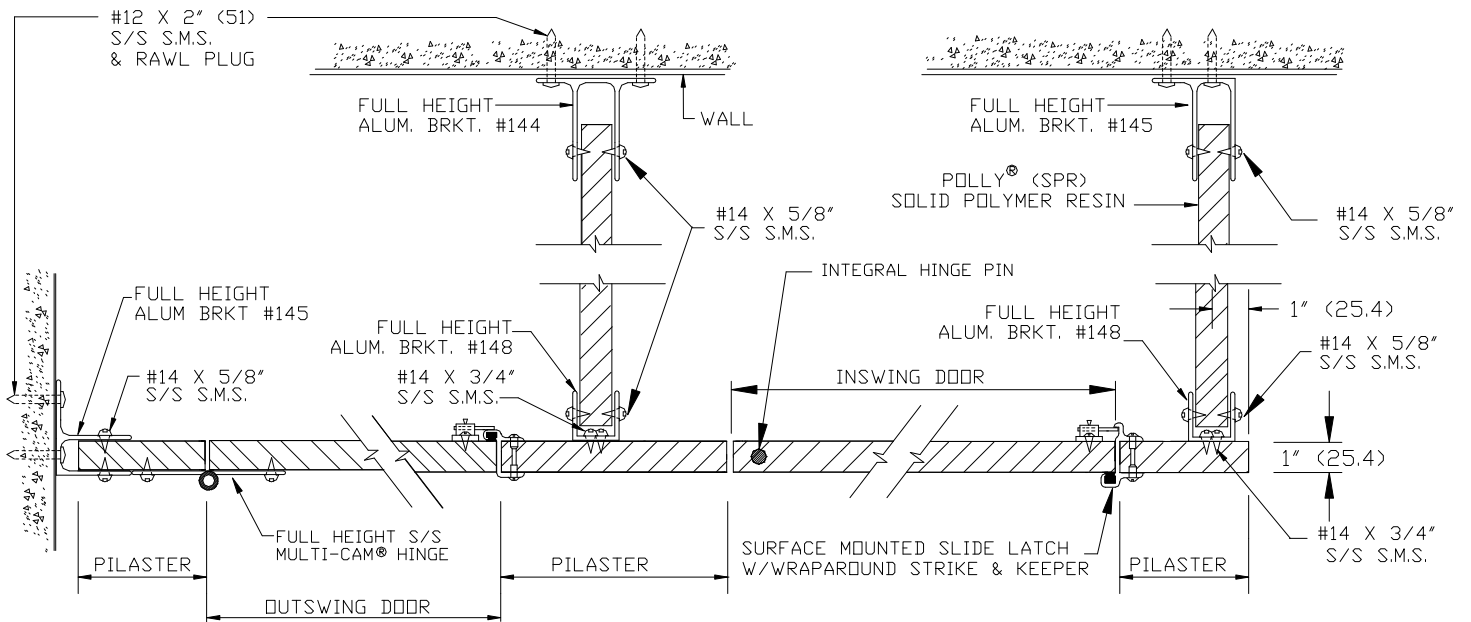


NOTE:  
THIS DRAWING IS A STANDARD DETAIL INTENDED TO SHOW GENERAL CONSTRUCTION AND SPECIFICATION INFORMATION. SEE SHOP DRAWINGS FOR ACTUAL JOB LAYOUT AND SPECIFIC JOB CONDITIONS WHICH SUPERCEDE ANY CONFLICTING INFORMATION ON THIS DETAIL SHEET.

\*For ceiling heights greater than 9'-0", call Metpar Corp for further information.



FLOOR MOUNTING DETAIL CONCEALED WITH 3 inch HIGH POLISHED STAINLESS STEEL PLINTH



METPAR CORP POLLY®  
95 State Street, Westbury, NY 11590 FLOOR-TO-CEILING DETAIL  
Tel: 516-333-2600 Fax: 516-333-2618 top & bottom  
Visit us on the web at <http://www.Metpar.com> 02/08/05