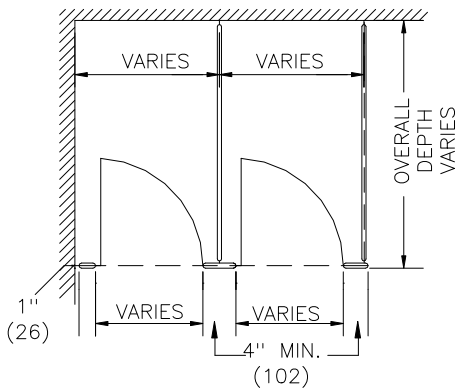
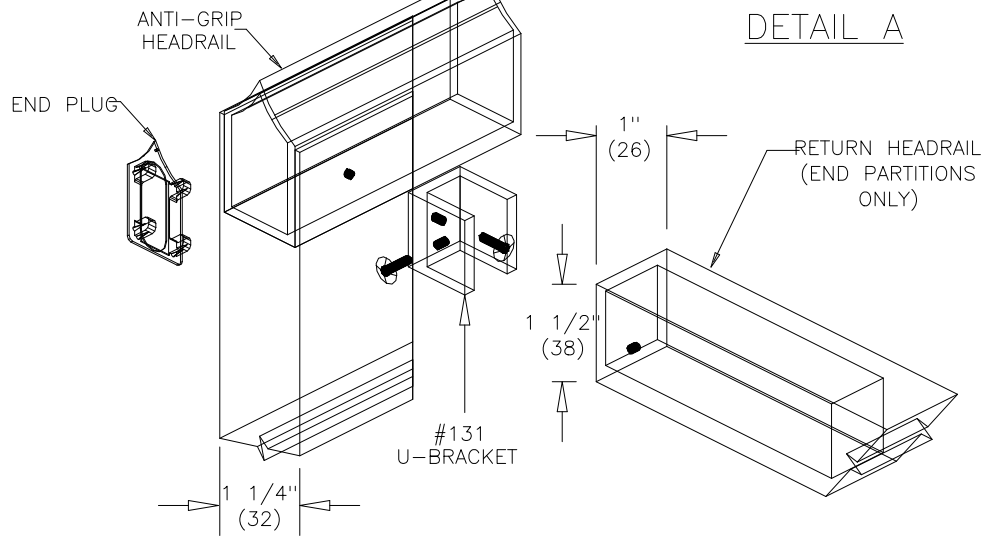


DIMENSIONS IN ( ) =  
MILLIMETERS

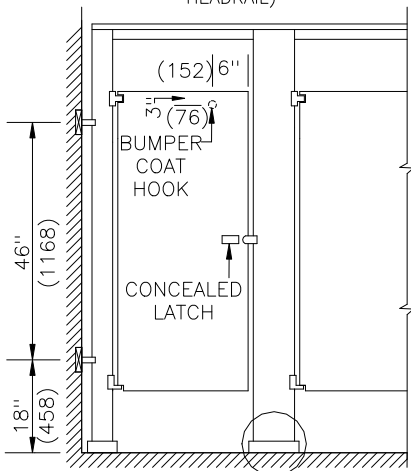


**FLOOR PLAN**

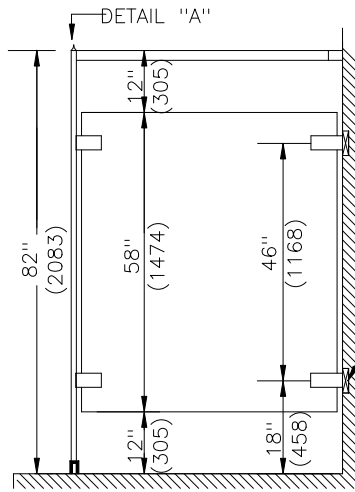
(DOTTED LINES INDICATE HEADRAIL)



**DETAIL A**

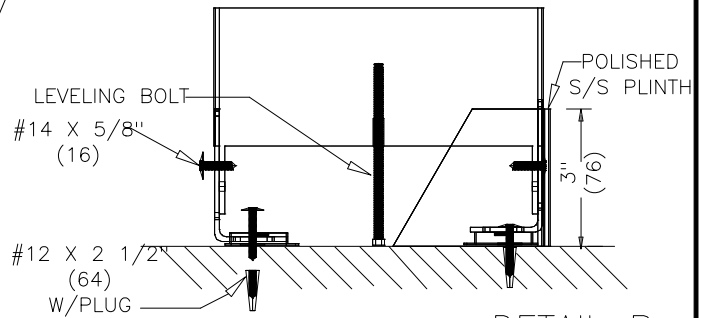


**FRONT ELEVATION**

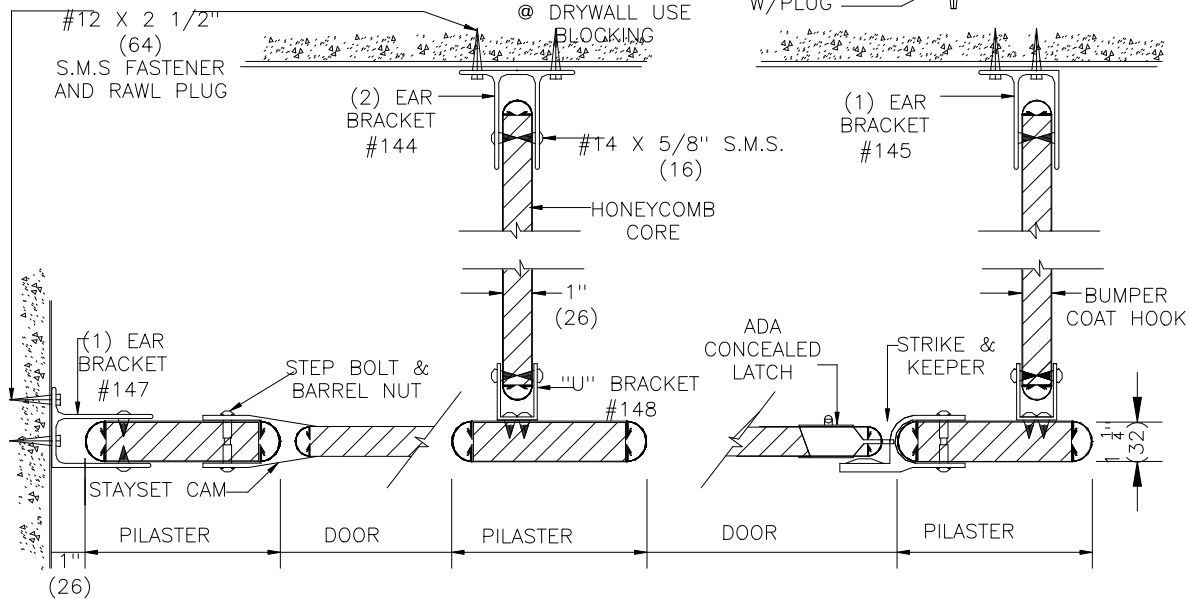


**SIDE ELEVATION**

**NOTES:** This drawing is a standard detail intended to show general information. See shop drawings for actual job layout and specific job conditions (by others) and/or conflicting information. For blocking, use full height or any other bracket, consult with Metpar distributors for blocking information and locations.



**DETAIL B**



**METPAR**  
95 State Street, Westbury,  
Tel: 516-333-1800 Fax:  
www.Metpar.com  
Sales@Metpar.com

**POWDER SHIELD**  
Standard Typical Detail -  
FP500

FP500BE.DWG The Corinthian 05/04/2009