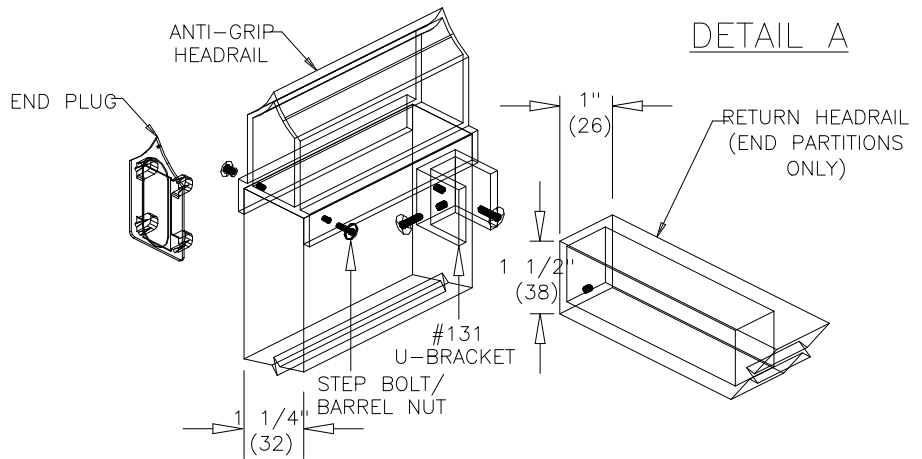
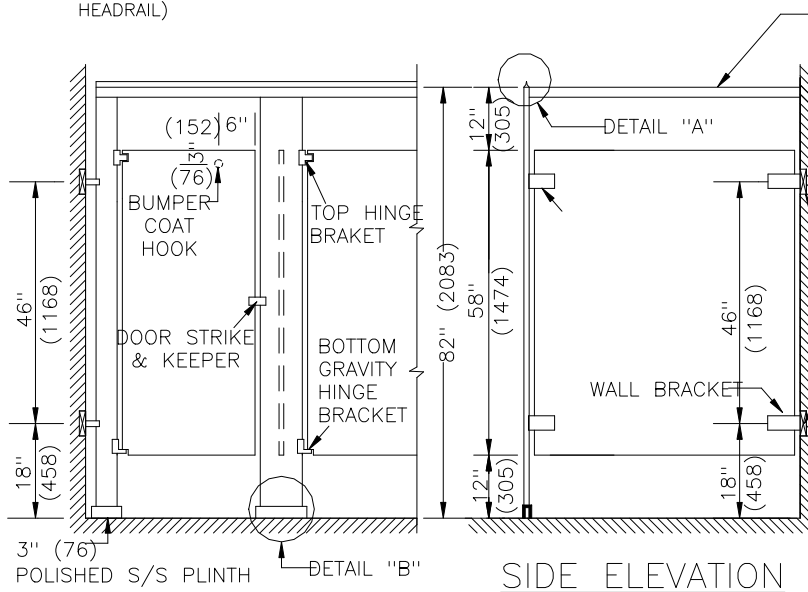


FLOOR PLAN
(DOTTED LINES INDICATE HEADRAIL)



DETAIL A

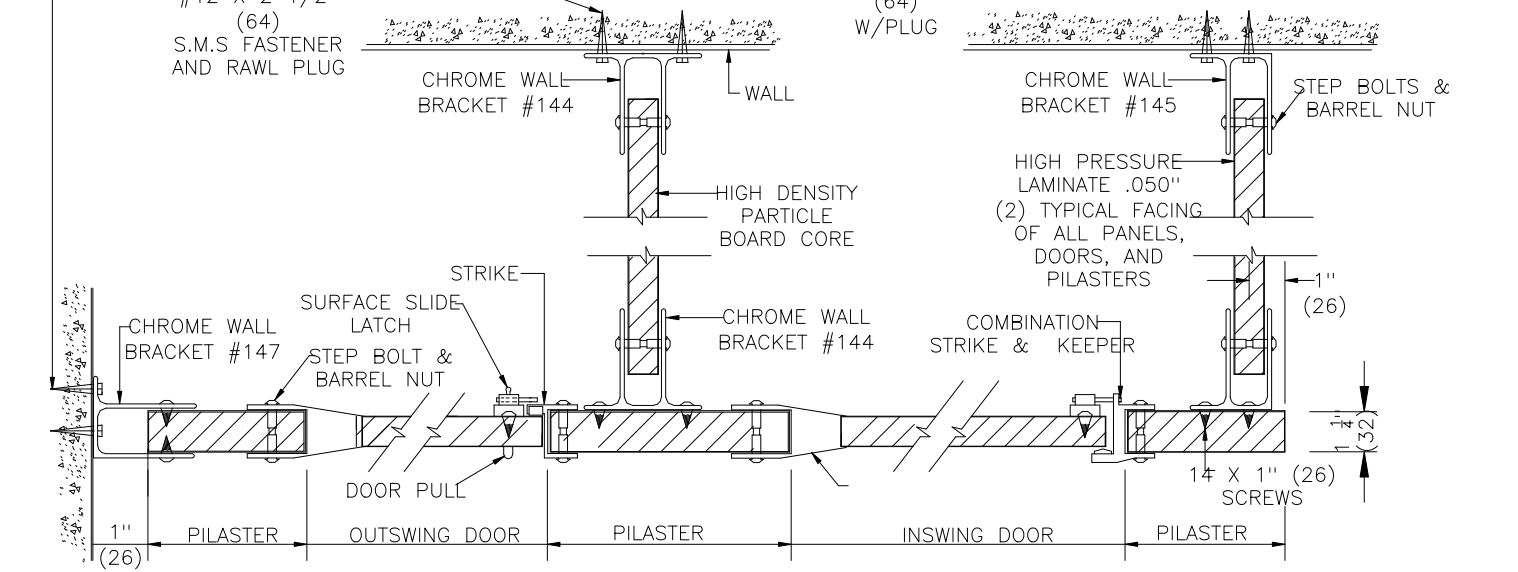


SIDE ELEVATION

1" X 1 1/2" ALUMINUM RECTANGULAR HEADRAIL (OVER END PANEL ONLY) (26 X 38)

NOTES: This drawing is a standard detail intended to show general information. See shop drawings for actual job layout and specific job conditions (that supersede any blocking (by others) shown for standard CPZ stir-up brackets. For full height or any other bracket, consult with Metpar distributors for blocking information and locations.

FRONT ELEVATION



DETAIL B



METPAR CORP
95 State Street, Westbury, NY 11590
Tel: 516-333-2600 Fax: 516-333-2618

PLASTIC LAMINATE
STANDARD DETAIL FP 500
THE CORINTHIAN
FP500PL.DWG 05/27/2000