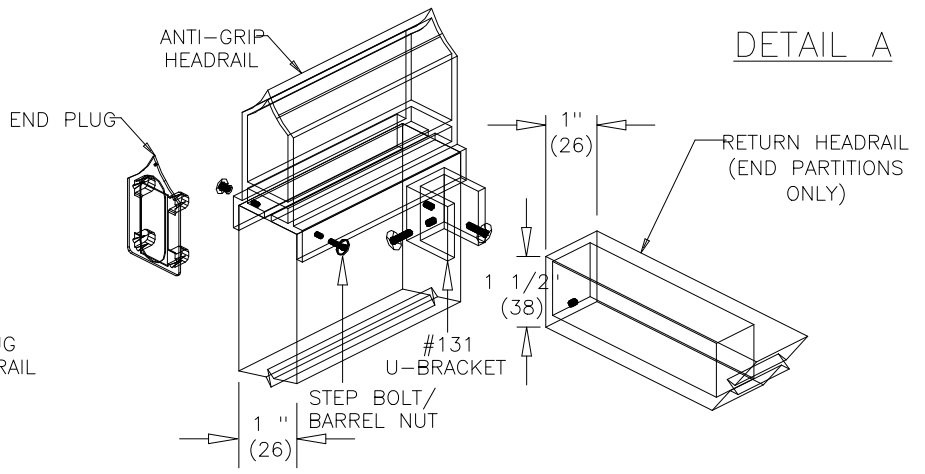
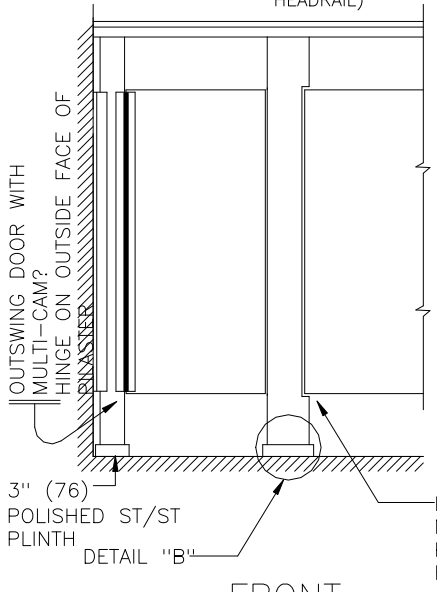


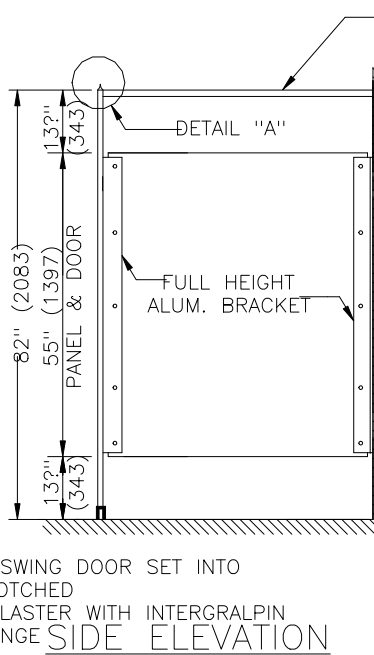
**FLOOR PLAN**  
(DOTTED LINES INDICATE HEADRAIL)



**DETAIL A**

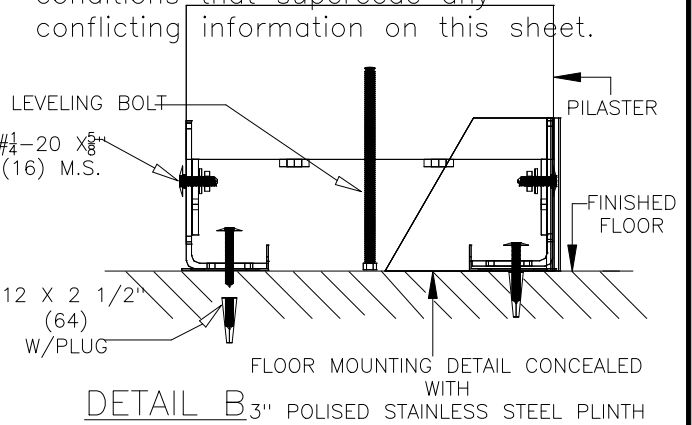


**FRONT ELEVATION**

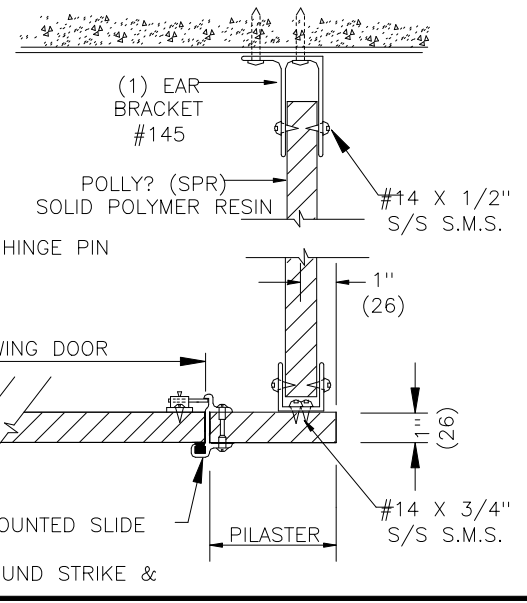
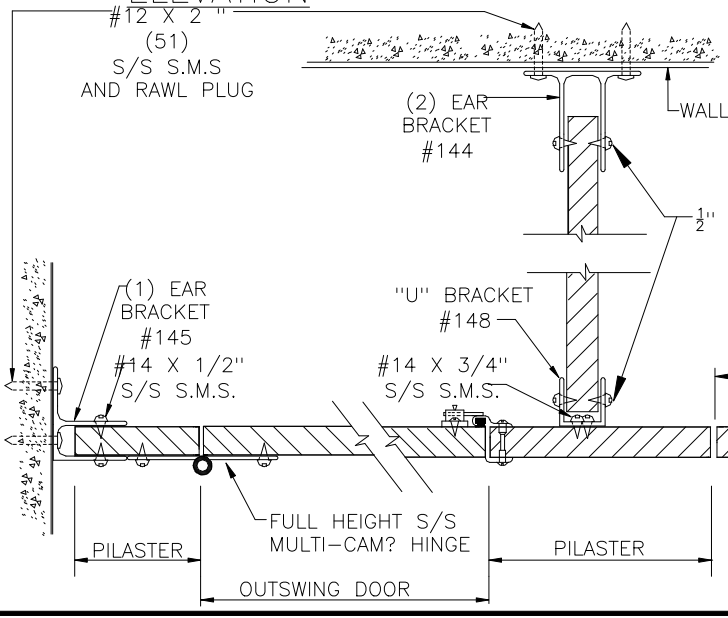


**SIDE ELEVATION**

**NOTES:** This drawing is a standard detail intended to show general information. See shop drawings for actual job layout and specific job conditions that supercede any conflicting information on this sheet.



**DETAIL B**



**METPAR CORP**

**POLLY®**

95 State Street, Westbury, NY 11591

Tel: 516-333-2600 Fax: 516-333-2611

Visit us on the web at <http://www.Metpar.com>

STANDARD DETAIL FP500  
TBE CORINTHIAN

05/22/09