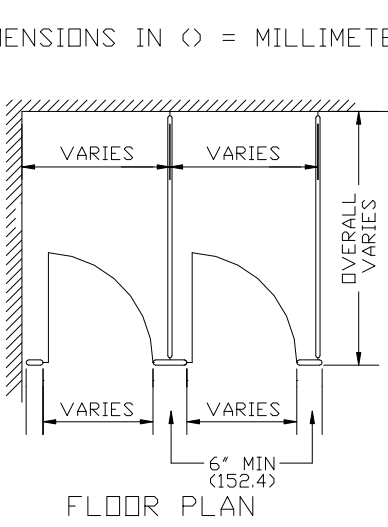
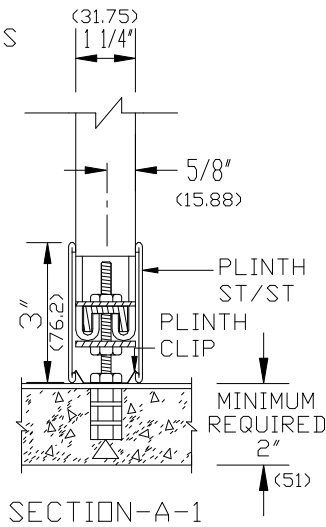


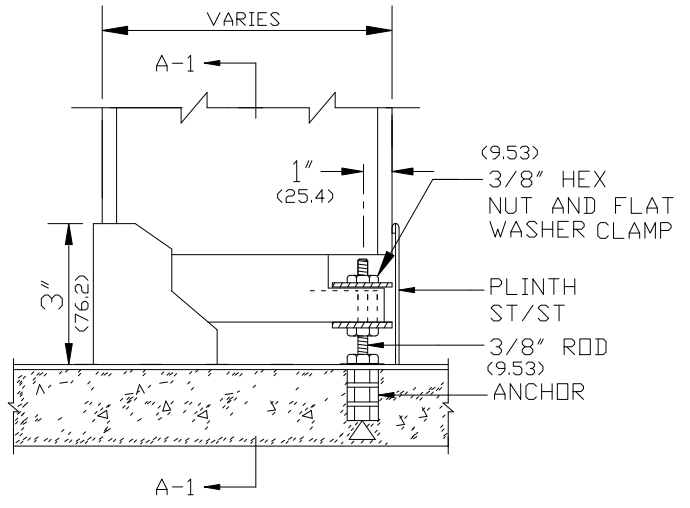
DIMENSIONS IN () = MILLIMETERS



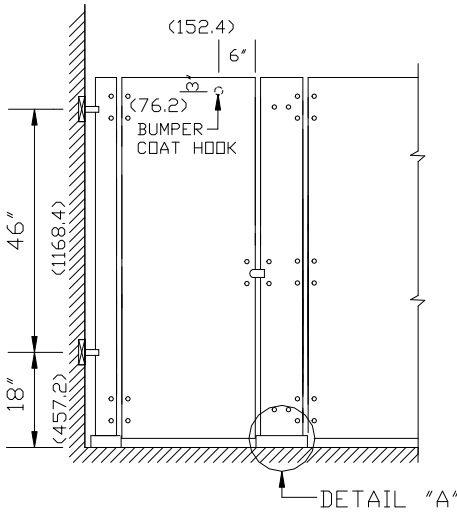
FLOOR PLAN



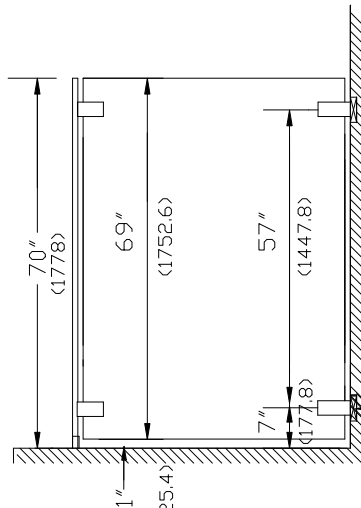
SECTION-A-1



DETAIL A



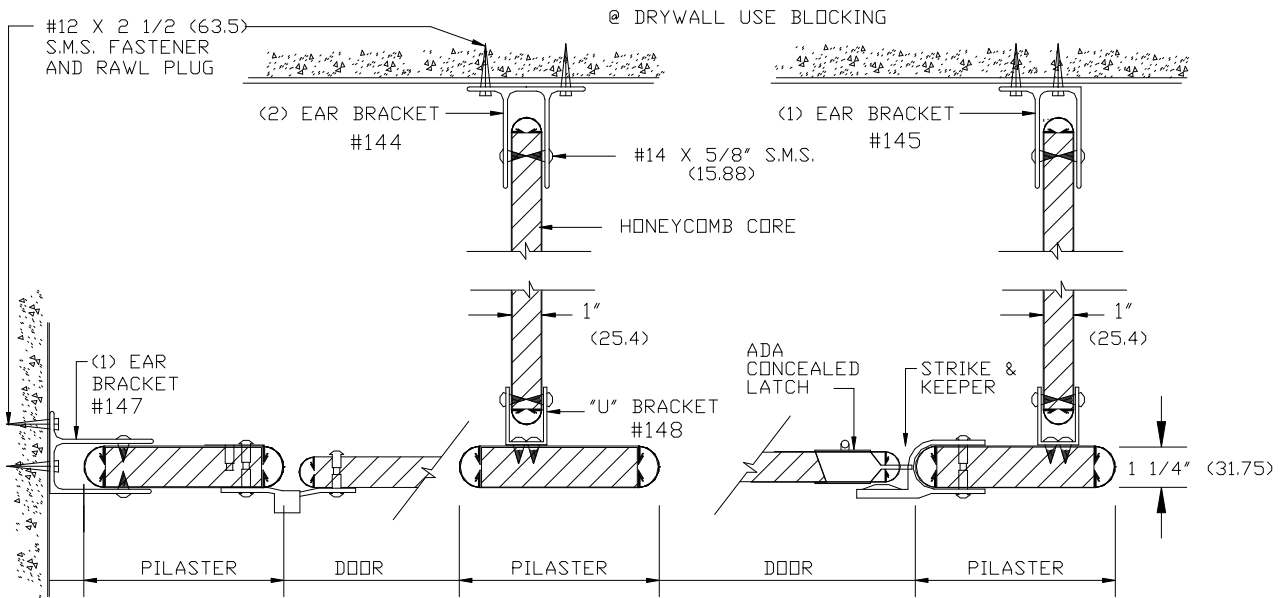
FRONT ELEVATION



SIDE ELEVATION

NOTE:
THIS DRAWING IS A STANDARD
DETAIL INTENDED TO SHOW
GENERAL CONSTRUCTION AND
SPECIFICATION INFORMATION. SEE
SHOP DRAWING FOR ACTUAL JOB
LAYOUTS AND SPECIFIC JOB
CONDITIONS WHICH SUPERCEDE
ANY CONFLICTING INFORMATION
ON THIS DETAIL SHEET.

BLOCKING
BY OTHERS
(TYP) @ DRYWALL



METPAR
95 State Street, Westbury,
Tel: 516-333-8900 Fax:
www.Metpar.com
Sales@Metpar.com

POWDER SHIELD
Special Detail - FT700E
The Luxor - Eastern Style

FT700BEE.DWG

9/26/2002