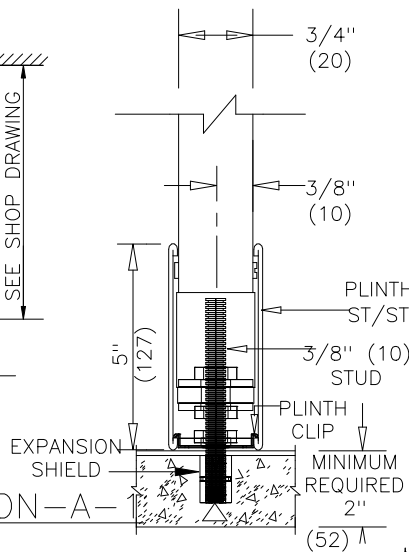
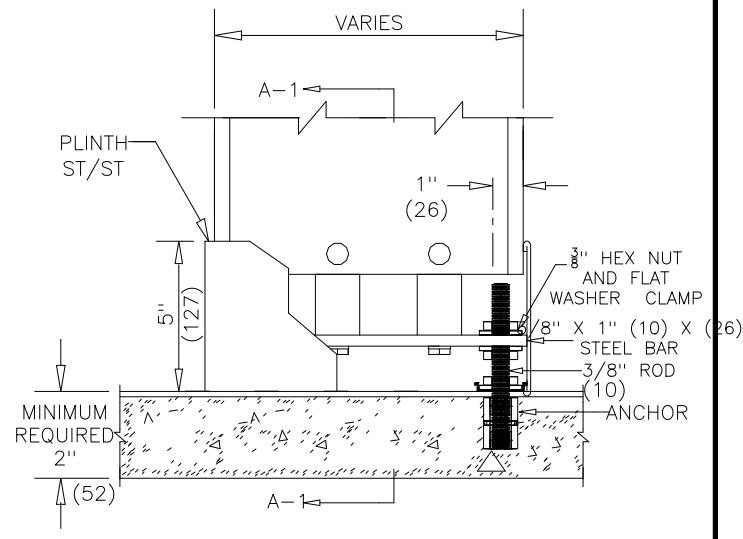


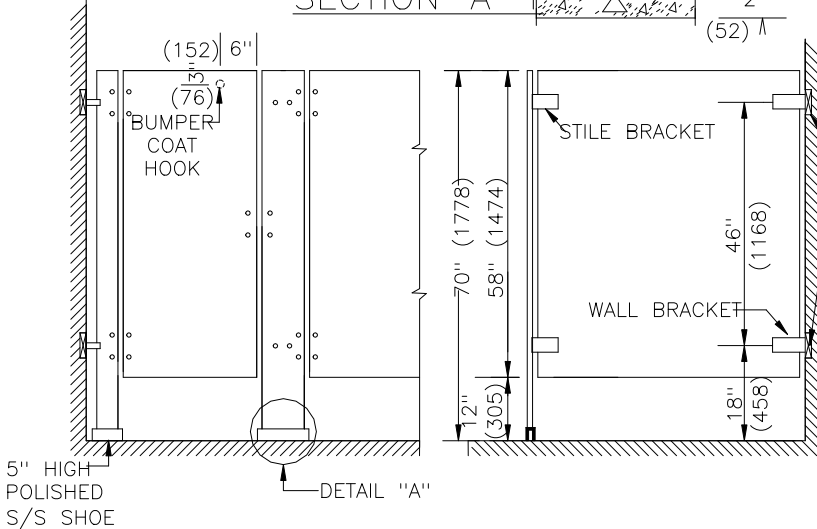
FLOOR PLAN



SECTION - A -



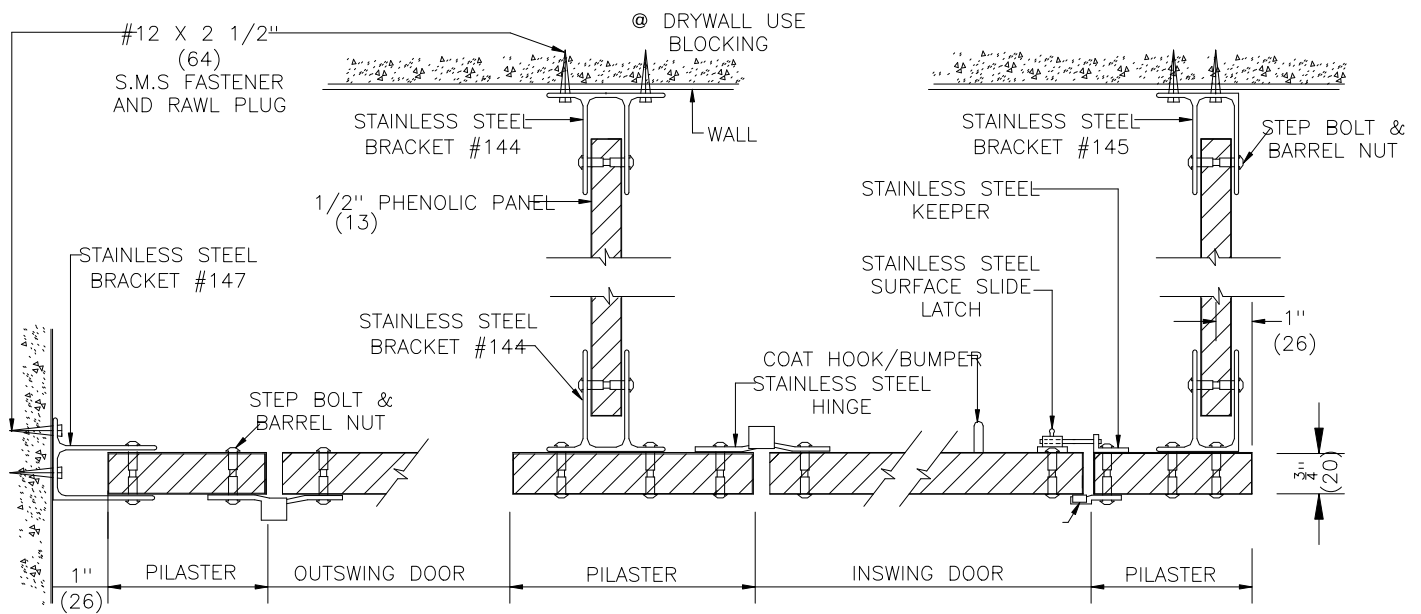
DETAIL A



FRONT ELEVATION

SIDE ELEVATION

Blocking (by others) shown for standard CPZ stirrup brackets. for full height or any other bracket, consult with Metpar distributors for  
**NOTES:** This drawing is a standard detail intended to show general construction and specification information. see shop drawings for actual job layout and specific job conditions which supercede any conflicting information on this sheet.



METPAR CORP  
 95 State Street, Westbury, NY 11590  
 Tel: 516-333-2600 Fax: 516-333-2618

SOLID PHENOLIC  
 STANDARD DETAIL FT-700  
 THE LUXOR  
 FT 700 PH.DWG 05/29/08