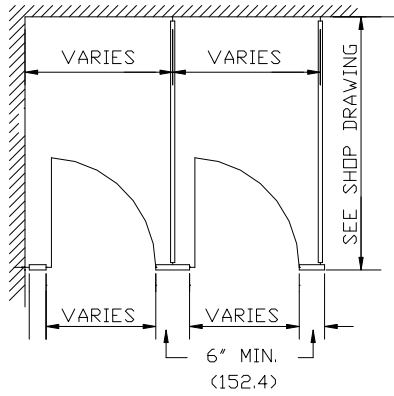
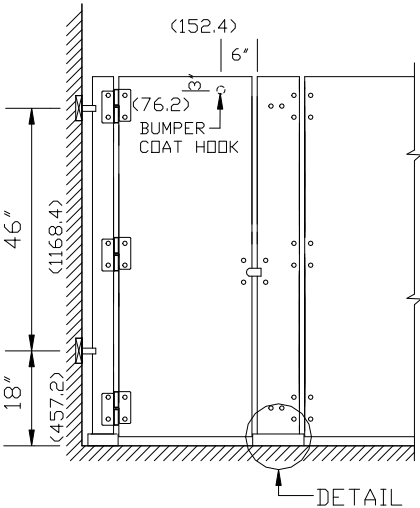
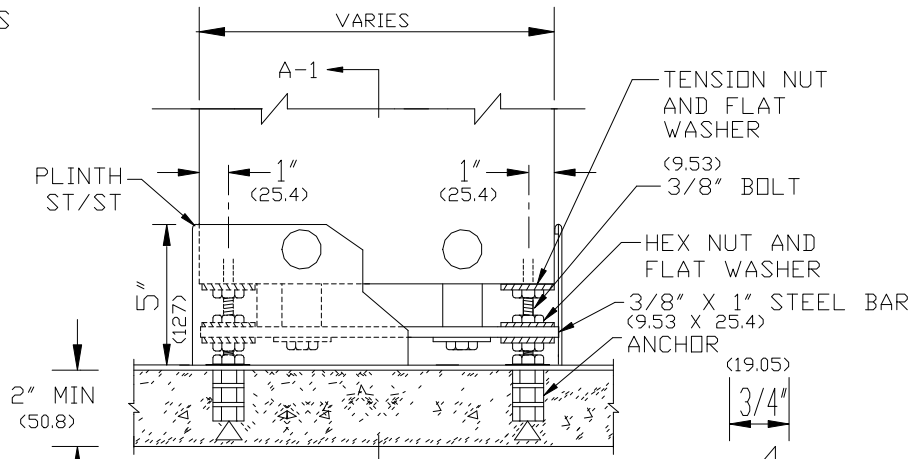


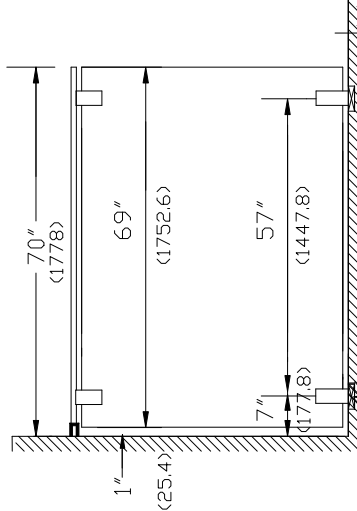
DIMENSIONS IN () = MILLIMETERS



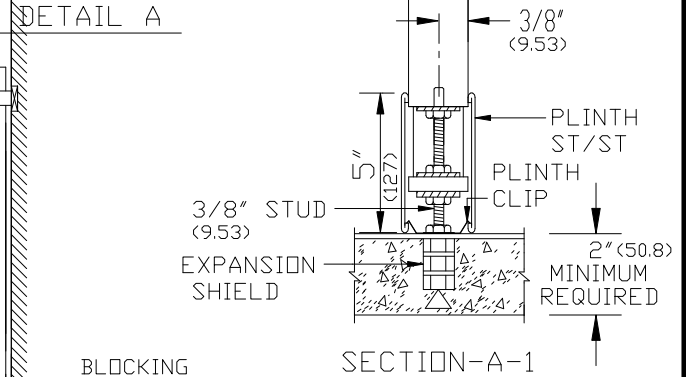
FLOOR PLAN



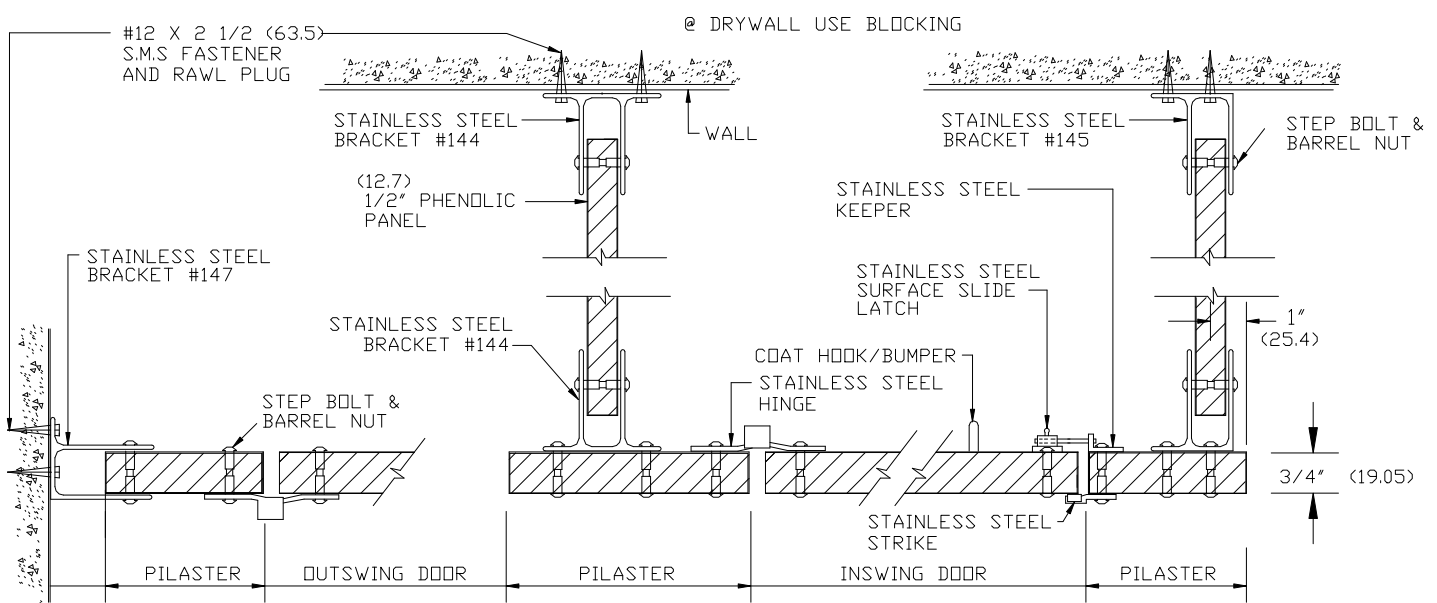
FRONT ELEVATION



SIDE ELEVATION



NOTE:
SHOP DRAWINGS FOR ACTUAL JOB LAYOUT
AND SPECIFIC JOB CONDITIONS WHICH
SUPERCEDE ANY CONFLICTING INFORMATION
ON THIS DETAIL SHEET.



METPAR CORP SOLID PHENOLIC
 95 State Street, Westbury, NY 11590 EASTERN STYLE DETAIL FT-700E
 Tel: 516-333-2600 Fax: 516-333-2618 THE LUXOR
 FT700PHE.DWG 5/00