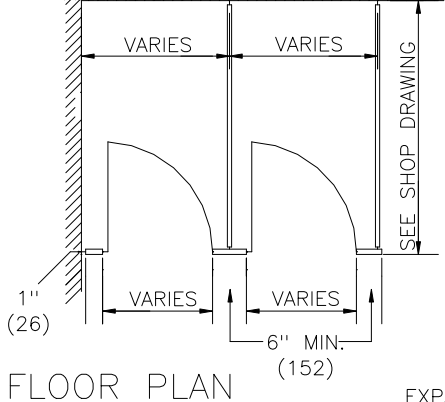
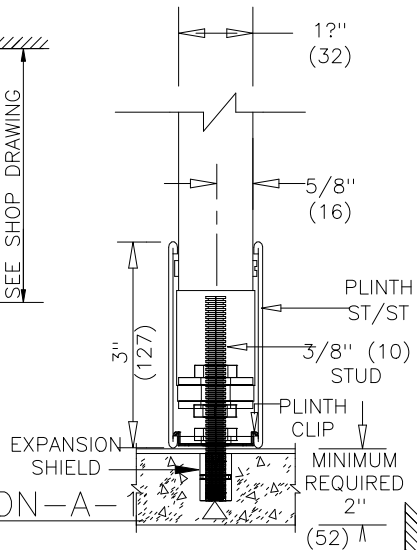


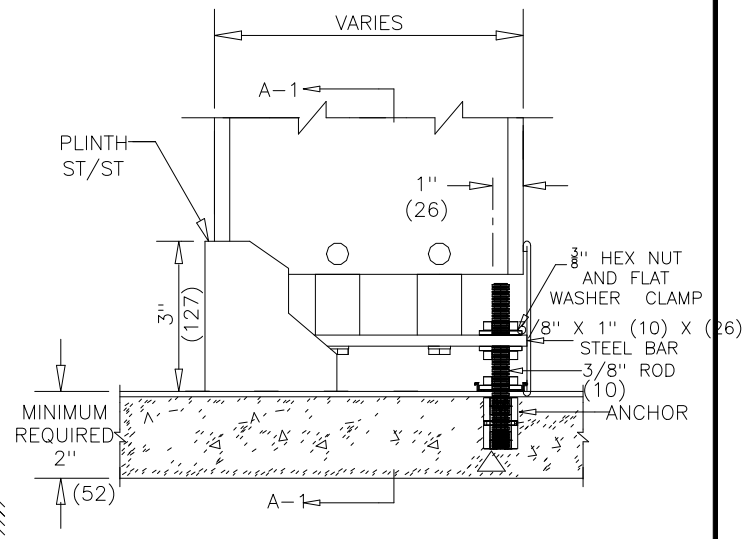
DIMENSIONS IN () = MILLIMETERS



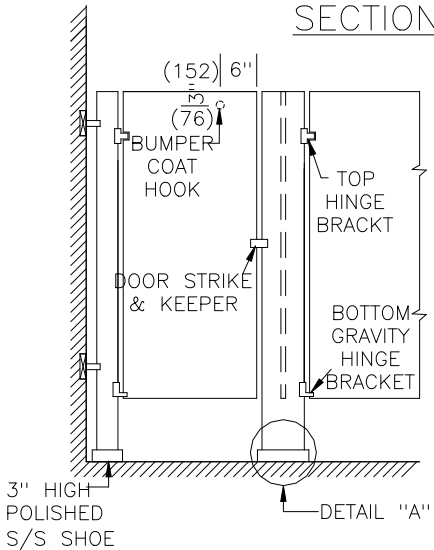
FLOOR PLAN



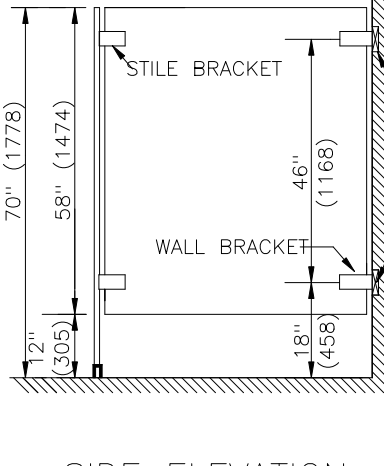
SECTION - A -



DETAIL A

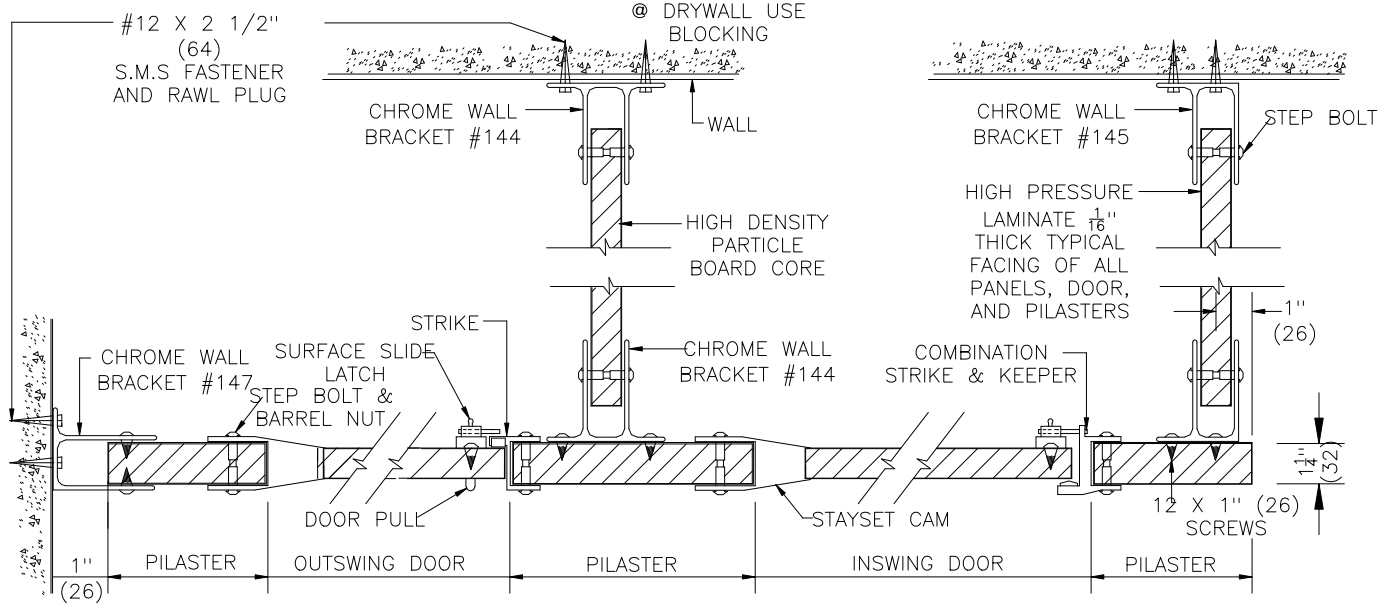


FRONT ELEVATION



SIDE ELEVATION

Blocking (by others) shown for standard CPZ stirrup brackets. for full height or any other bracket, consult with Metpar distributors for ~~NOTES~~ Blocking information and installation detail intended to show general construction and specification information. see shop drawings for actual job layout and specific job conditions which supercede any conflicting information on this sheet.



METPAR CORP

95 State Street, Westbury, NY 11590
Tel: 516-333-2600 Fax: 516-333-2618

PLASTIC LAMINATE

STANDARD DETAIL FT-700

THE LUXOR

PE.DWG