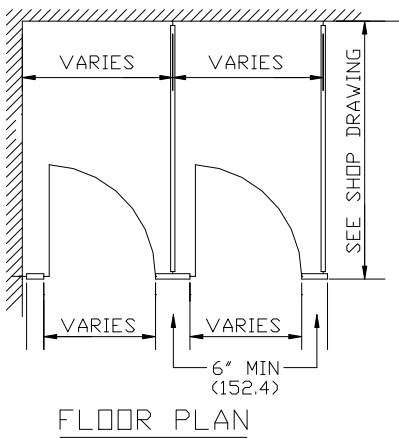
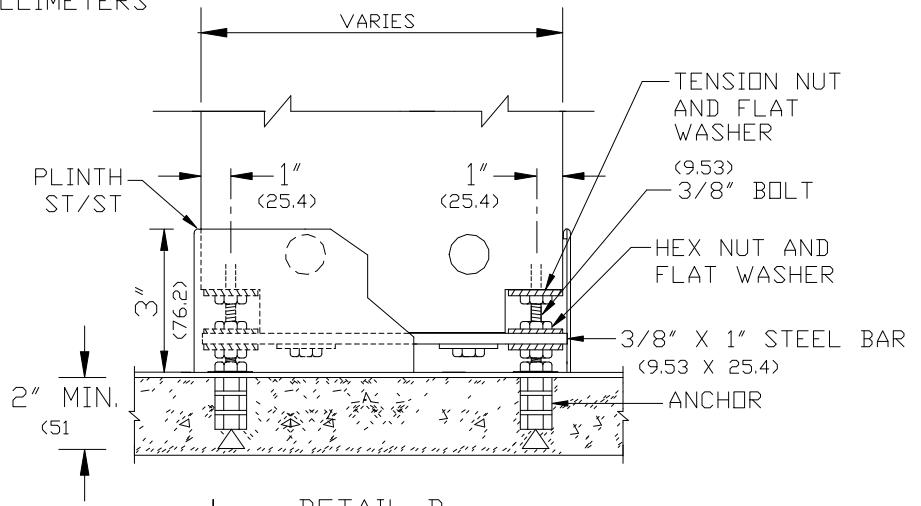


DIMENSIONS IN () = MILLIMETERS



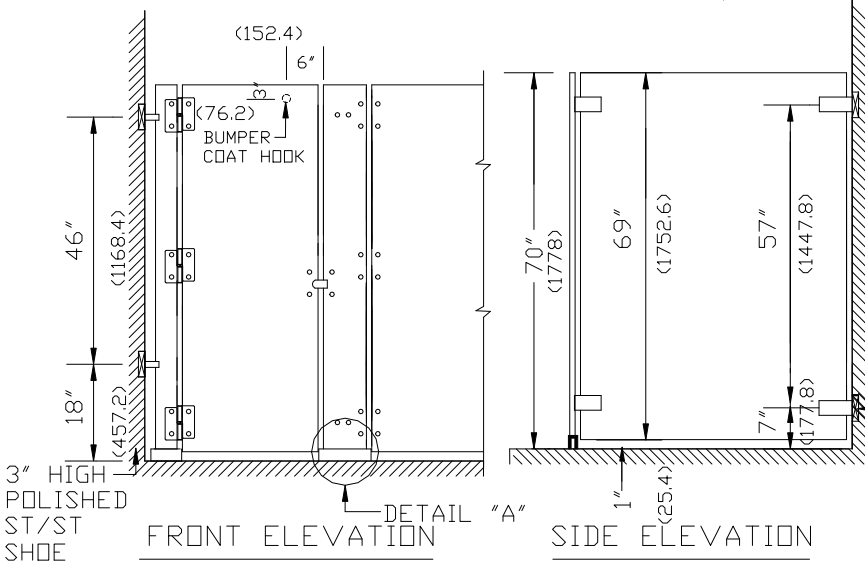
FLOOR PLAN



DETAIL B

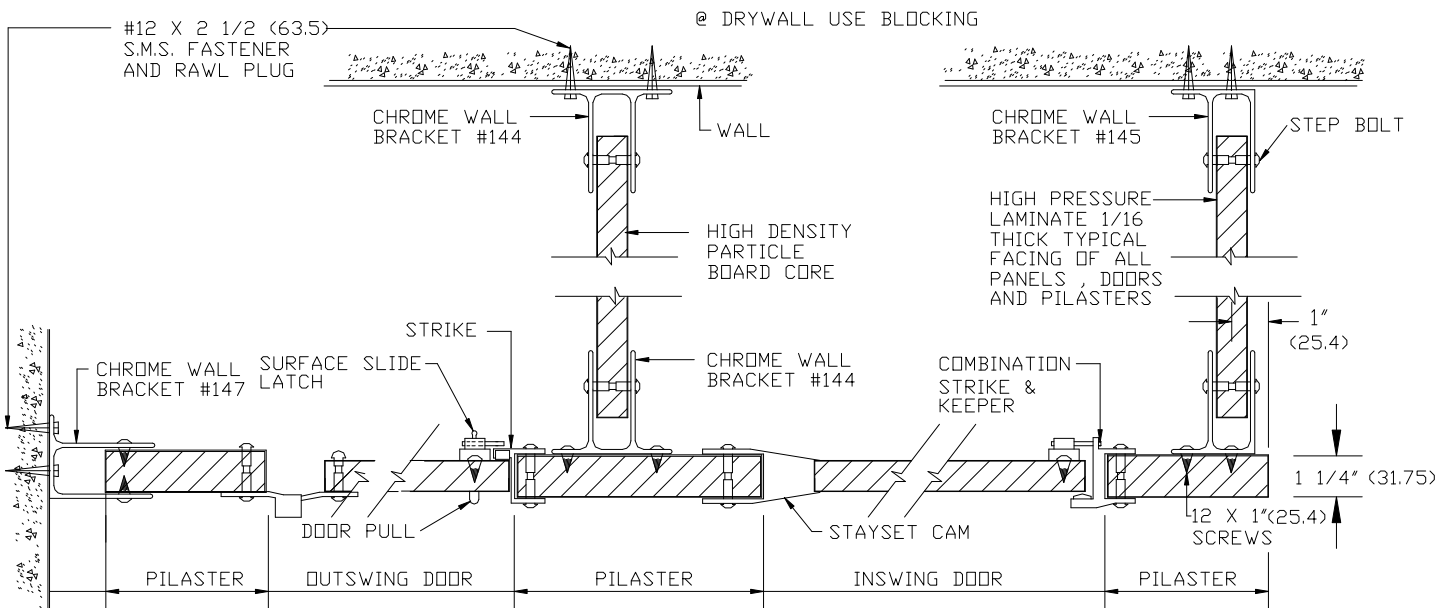
NOTE:
THIS DRAWING IS A STANDARD DETAIL INTENDED TO SHOW GENERAL CONSTRUCTION AND SPECIFICATION INFORMATION. SEE SHOP DRAWINGS FOR ACTUAL JOB LAYOUT AND SPECIFIC JOB CONDITIONS WHICH SUPERCEDE ANY CONFLICTING INFORMATION ON THIS DETAIL SHEET.

BLOCKING
BY OTHERS
(TYP) @ DRYWALL



FRONT ELEVATION

SIDE ELEVATION



METPAR CORP

95 State Street, Westbury, NY 11590

Tel: 516-333-2600 Fax: 516-333-2618

PLASTIC LAMINATE

EASTERN STYLE FT-700E

THE LUXOR

FT700PEL.DWG