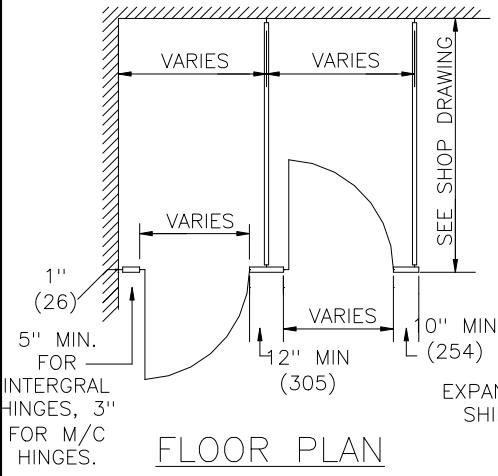
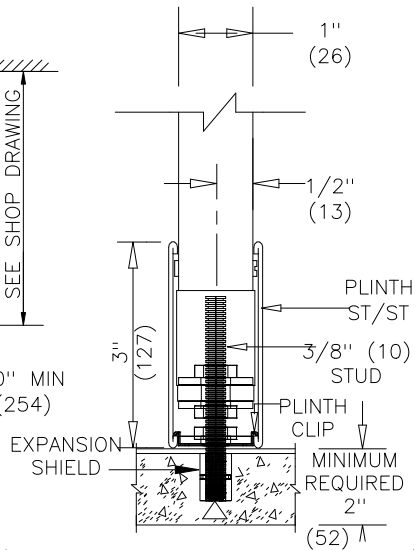


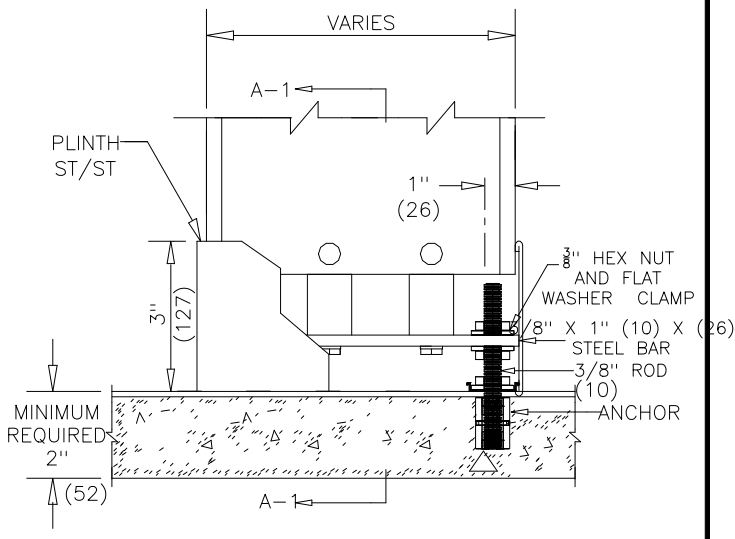
DIMENSIONS IN () = MILLIMETERS



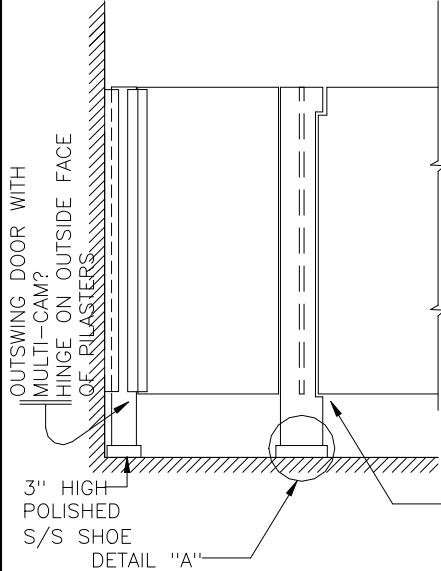
FLOOR PLAN



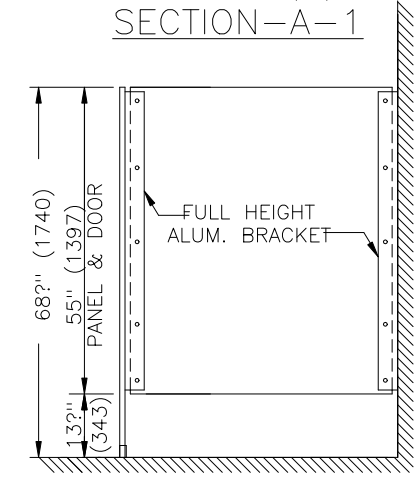
SECTION-A-1



DETAIL A

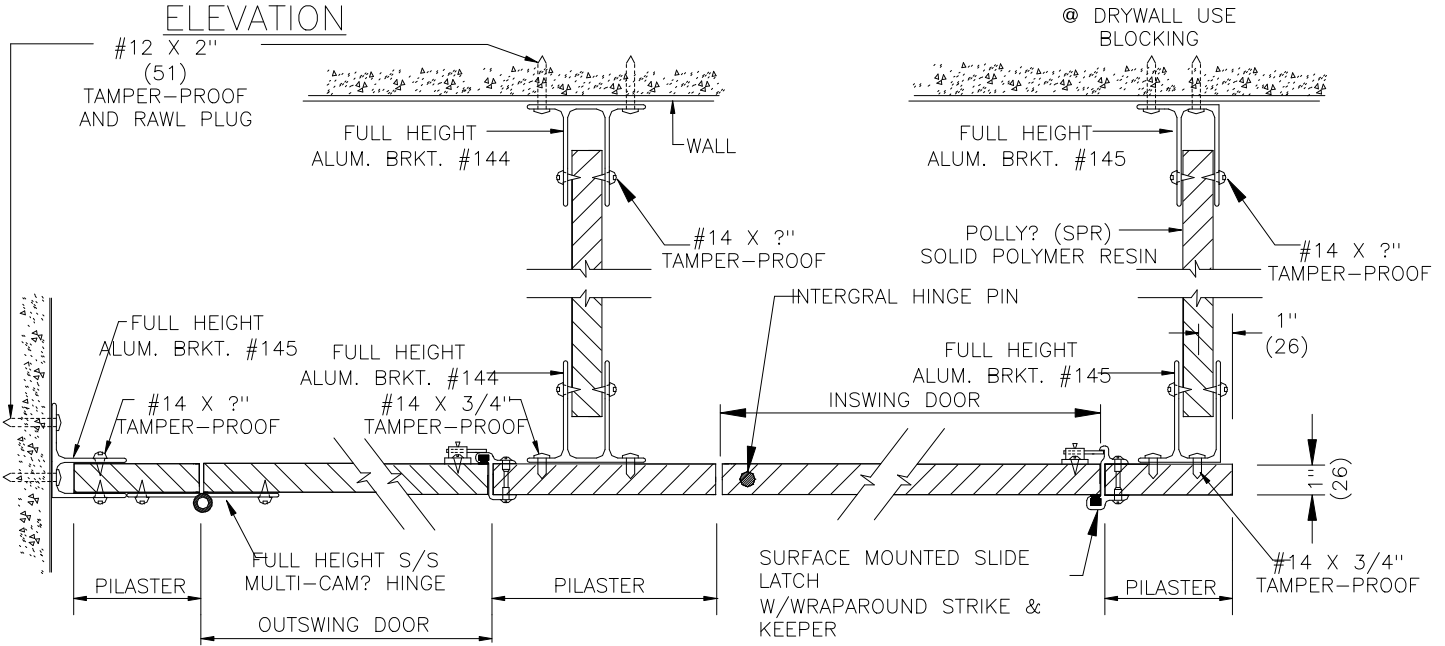


FRONT ELEVATION



SIDE ELEVATION

NOTES: This drawing is a standard detail intended to show general construction and specification information. see shop drawings for actual job layout and specific job conditions which supercede any conflicting information on this sheet.



@ DRYWALL USE BLOCKING



METPAR CORP POLLY®
95 State Street, Westbury, NY 11590
Tel: 516-333-2600 Fax: 516-333-2618
Visit us on the web at <http://www.Metpar.com>
STANDARD DETAIL FT700 THE LUXOR
07/28/07