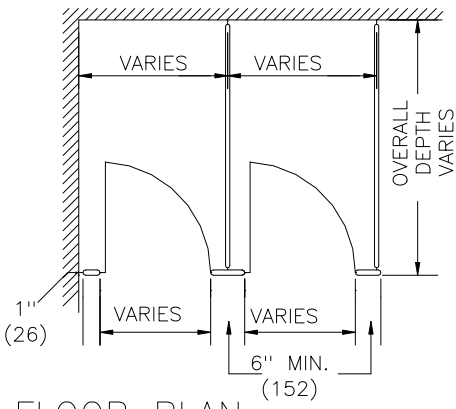
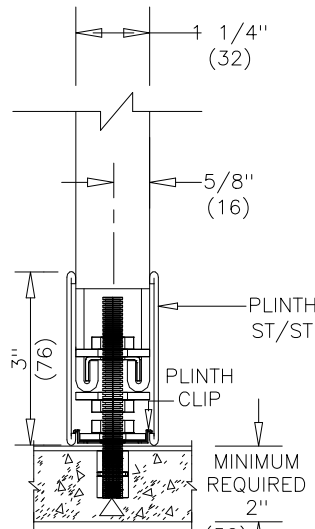


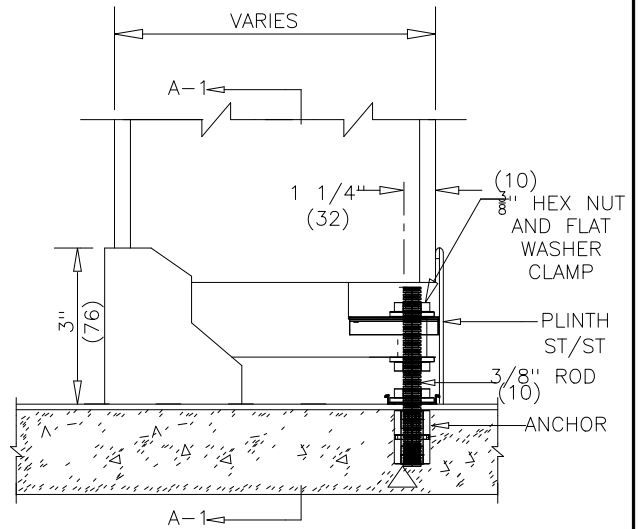
DIMENSIONS IN () =
MILLIMETERS



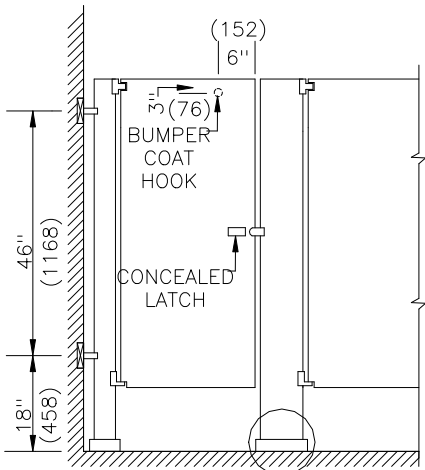
FLOOR PLAN



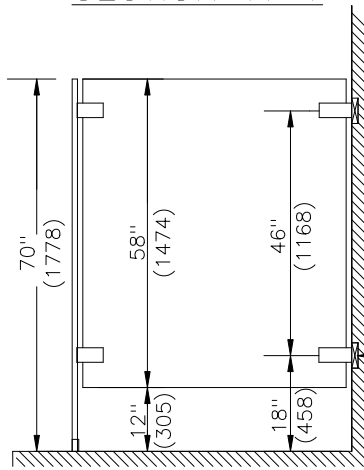
SECTION-A-1



DETAIL A



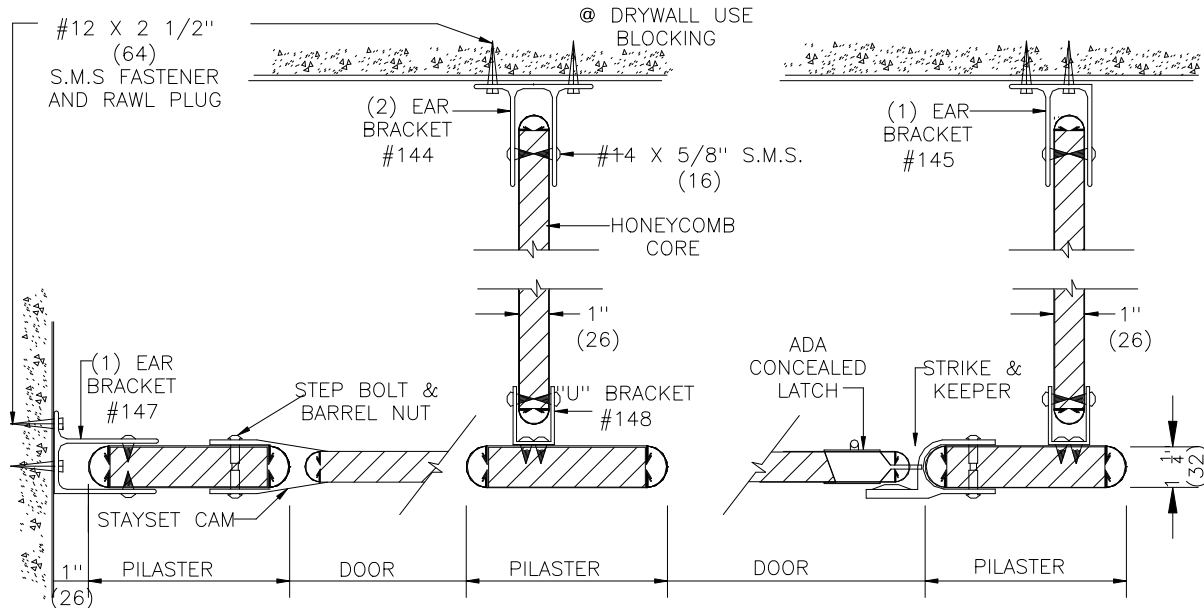
FRONT ELEVATION



SIDE ELEVATION

NOTES: This drawing is a standard detail intended to show general construction and specification information. see shop drawings for actual job layout and specific job conditions which supercede any conflicting information on this sheet.

Blocking (by others) shown for standard CPZ stirrup brackets. for full height or any other bracket, consult with Metpar distributors for blocking information and locations.



METPAR
95 State Street, Westbury,
Tel: 516-333-1800 Fax:
516-333-2618
www.Metpar.com
Sales@Metpar.com

STAINLESS STEEL
Standard Typical Detail –
FT700

FT700SS.DWG The Luxor 05/14/2009