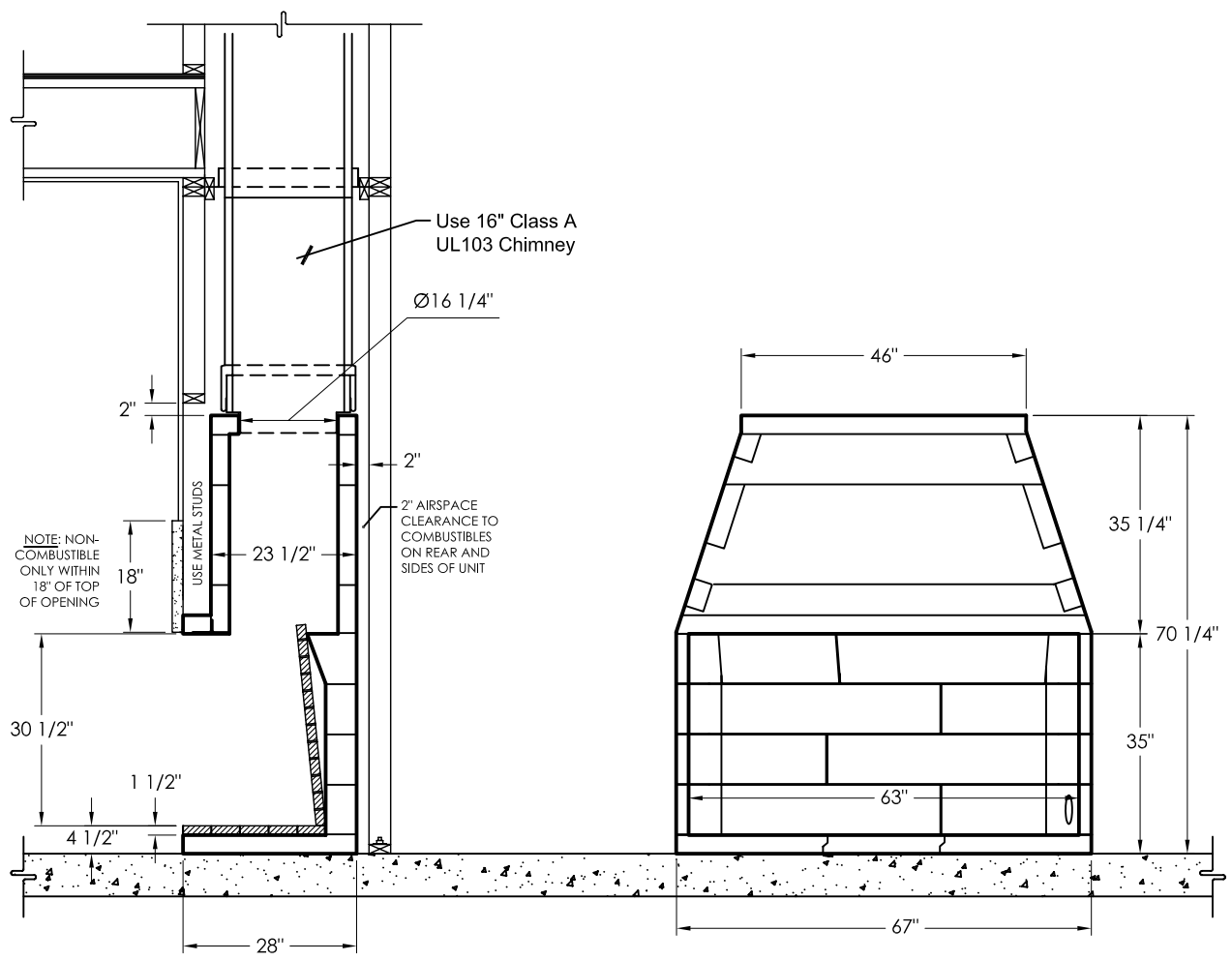
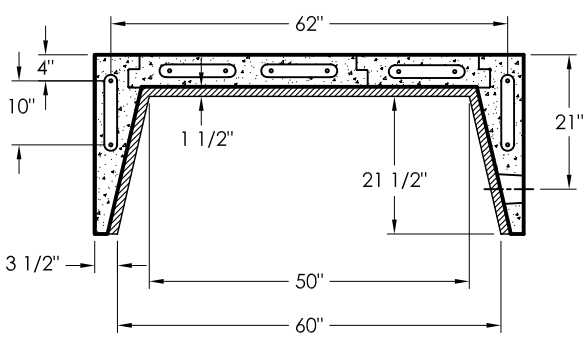


MASON-LITE



SECTION



PLAN

OTHER DIMENSIONS

Framing Width	71"
Framing Height	72 1/4"
Framing Depth	30"
Floor Area (67 x 28)	13.03 sf
Fireplace Weight	2,055 lbs
Mortar and Rebar	130 lbs
Ready Mix	250 lbs
Flue Size - Class A	Ø16"
Metal Chimney Weight per foot	12 lbs

ACCESSORIES

Herringbone Brick Liner	MFP63-SHBL	563 lbs
Full Running Bond Brick Liner	MFP63-FRBL	602 lbs
Structural Metal Base Kit - 8"	MFPB63	90 lbs
Anchor/Damper Plate	16ATGAPD	42 lbs
Ø4" Combustion Air Kit	MFP4-AK	14 lbs
Masonry Arch	MFP-ARC63	60 lbs

TITLE: MFP63		
DWG. NUMBER	RELEASE DATE	REV. DATE
S001	07/16/08	02/17/15