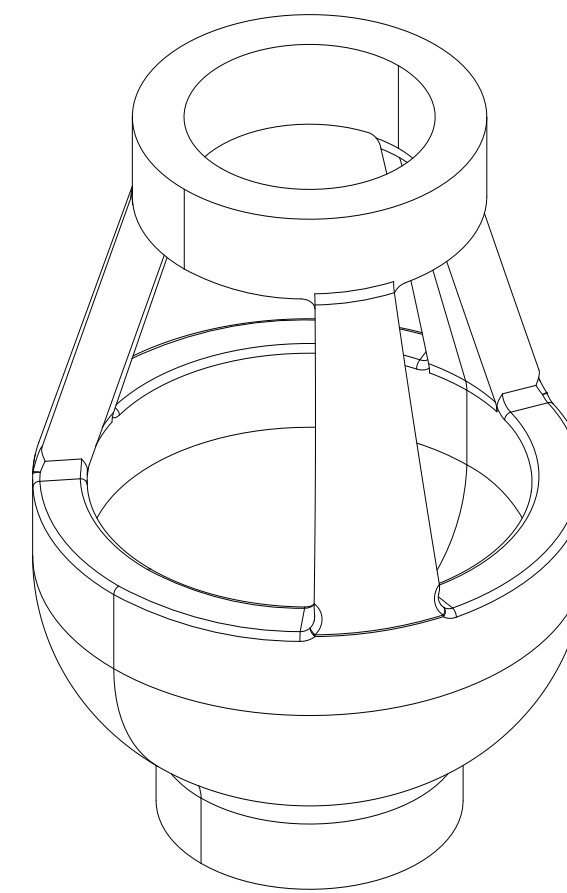


ELEVATION



3D VIEW

MODEL NUMBER	"A" INLET	"B" OUTLET	"C" DIAMETER	"D" HEIGHT	"E" AIR GAP
MI-CAG-10T	1/2" (13)	1" (25)	3 1/4"(83)	4 3/4"(121)	2"(51)
MI-CAG-15T	3/4" (19)	1 1/2" (38)	4 1/4" (108)	5 1/2" (140)	2 1/4" (57)
MI-CAG-20T	1" (25)	2" (51)	4 1/2" (114)	8" (203)	4" (102)

TOLERANCES
(UNLESS OTHERWISE SPECIFIED)

.X ± .XX
.XX ± .XX
.XXX ± .XXX
∠ ± °

TYP. DRAFT ANGLE = X.X°

DRAWN BY XX

APPROVED BY XX



CAST IRON FIXED AIR GAP

SIZE
C

DWG NO.

MI - CAG - 10/15/20T

REV
0

SCALE 1'=1'

MAT'L XXX

SHEET 1 of 1