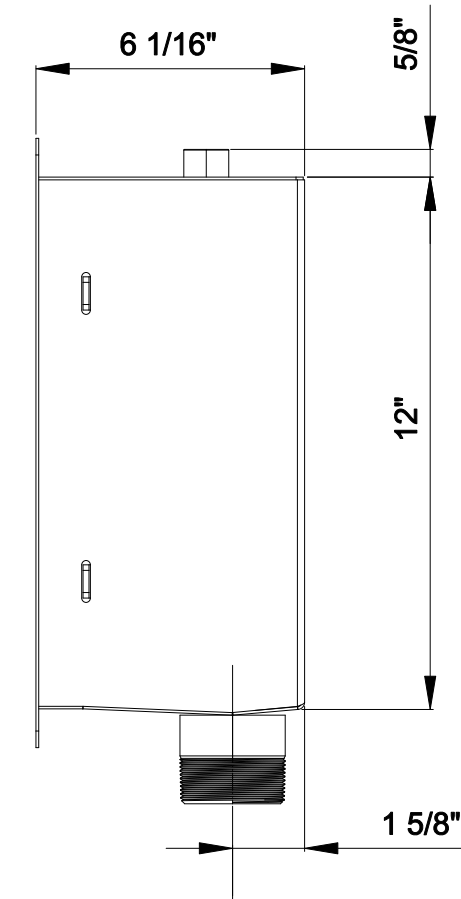
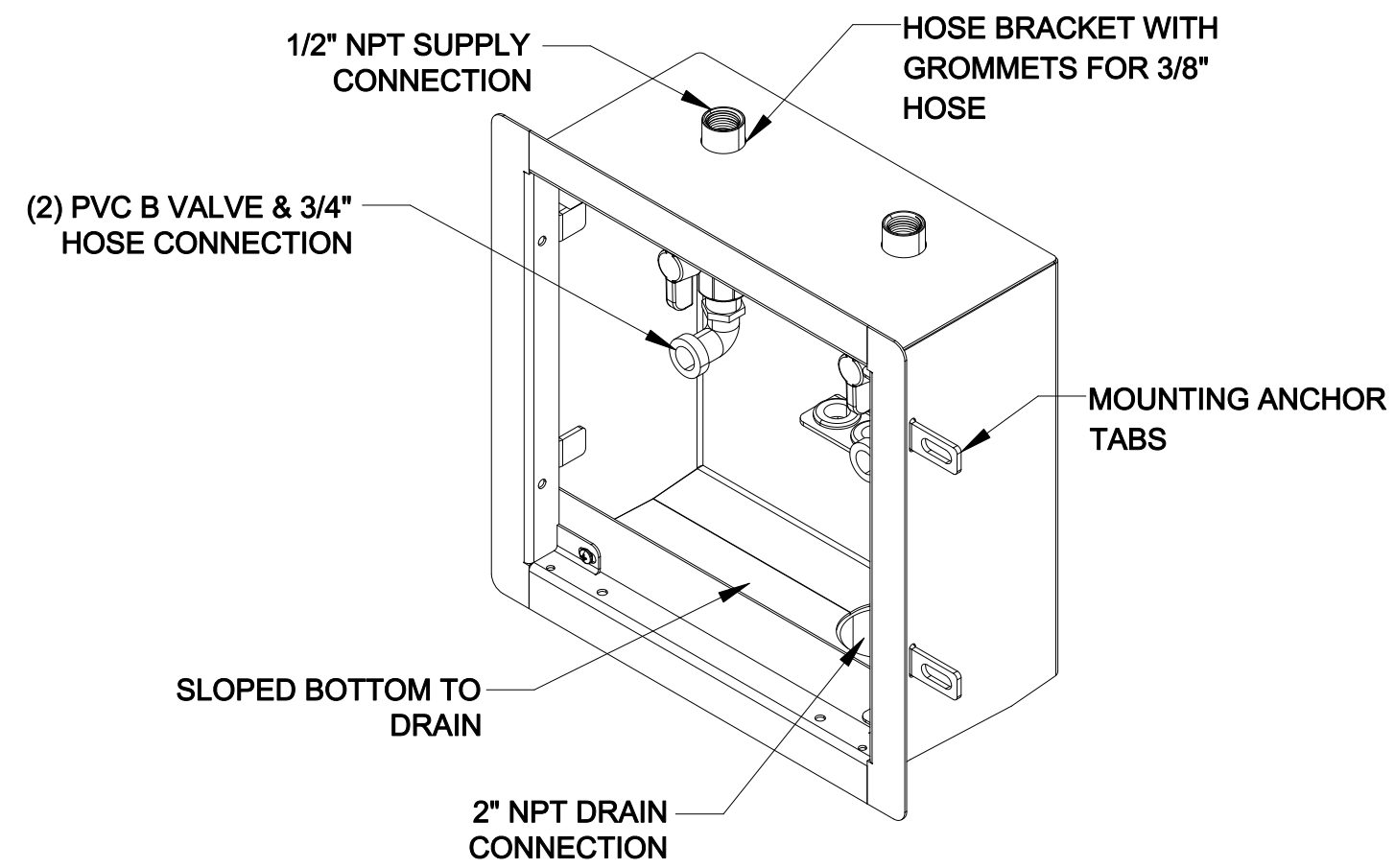


**ELEVATION**



**SIDE VIEW**



**3D VIEW**

TOLERANCES  
(UNLESS OTHERWISE SPECIFIED)

.X ± .XX  
.XX ± .XX  
.XXX ± .XXX  
∠ ± °

TYP. DRAFT ANGLE = X.X°

DRAWN BY XX

APPROVED BY XX



STAINLESS STEEL SUPPLY & WASTE DIALYSIS BOX WITH TWO VALVE (NO DOOR)

SIZE C	DWG NO. MI-DIAL-2-LD	REV 0
SCALE 1:1	MAT'L XXX	SHEET 1 of 1