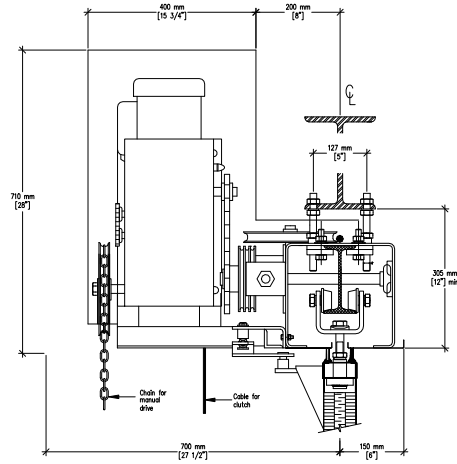
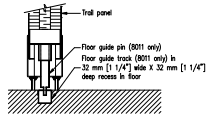
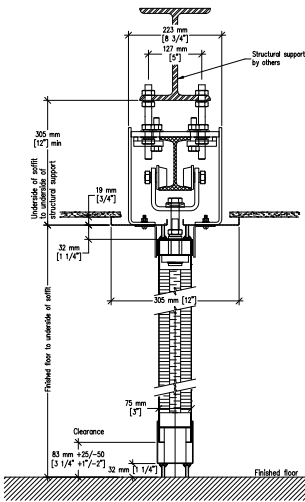


Excel 700 MODELS: 733-EG

CONTINUOUSLY-HINGED ELECTRICALLY OPERATED PARTITION

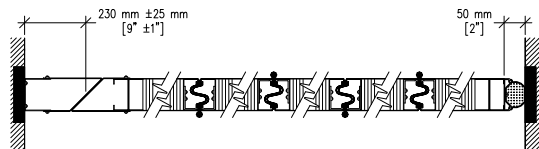


#80 steel track

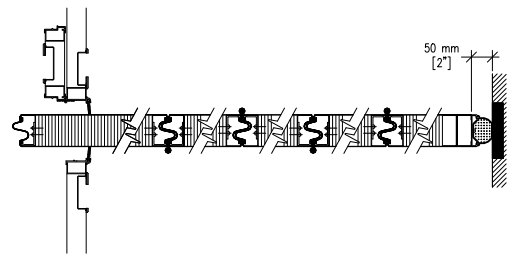


Top & Bottom fixed sweeps
Adjustable bottom seal retainer

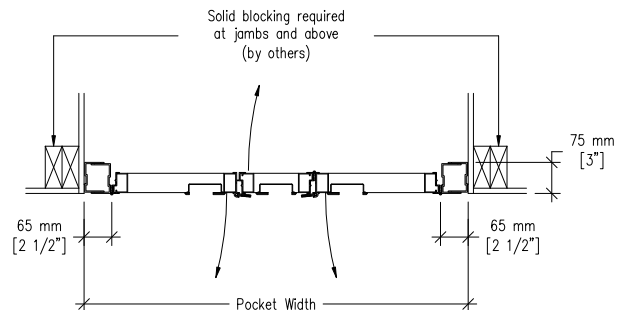
Vertical Section at Drive Unit



Fixed wall jamb & Bulb seal
(Wall to wall application)



Pocket door & Bulb seal
(Wall to pocket application)



3-Section Pocket Door
(optional in Wall to wall application)