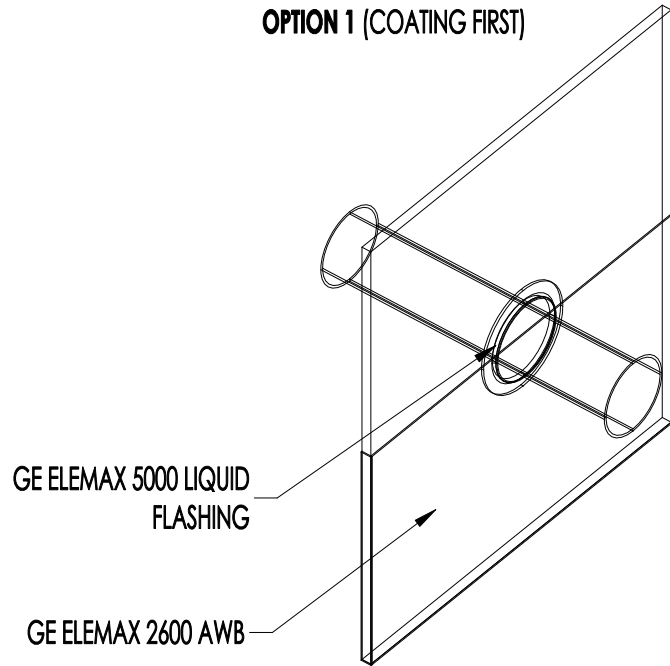
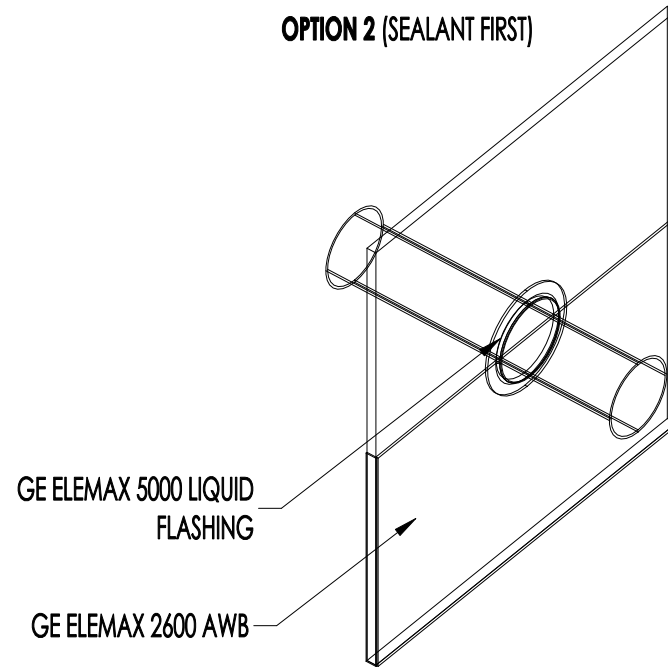


OPTION 1 (COATING FIRST)



OPTION 2 (SEALANT FIRST)



NOTES:

- ENSURE AREAS AT PENETRATION ARE DRY, CLEAN AND FREE OF ANY DIRT, DEBRIS OR CONTAMINANTS.
- PENETRATIONS MAY BE TREATED BEFORE OR AFTER THE APPLICATION OF GE ELEMEX 2600 AWB.
- **OPTION 1-** APPLY A CONTINUOUS APPLICATION OF GE ELEMEX 2600 AWB OVER ENTIRE FACE OF SHEATHING AND AROUND PERIMETER OF PENETRATION. ALLOW GE ELEMEX 2600 AWB TO CURE SUFFICIENTLY PRIOR SEALING THE PENETRATION WITH GE ELEMEX 5000 LIQUID FLASHING. USE BACKER ROD OR POLYURETHANE SPRAY FOAM WHERE NECESSARY. TRIM SPRAY FOAM FLUSH PRIOR TO DETAILING.
- **OPTION 2-** SEAL PERIMETER OF PENETRATION WITH GE ELEMEX 5000 LIQUID FLASHING. USE BACKER ROD OR POLYURETHANE SPRAY FOAM WHERE NECESSARY. TRIM SPRAY FOAM FLUSH PRIOR TO DETAILING. APPLY A CONTINUOUS APPLICATION OF GE ELEMEX 2600 AWB OVER ENTIRE FACE OF SHEATHING OVERLAPPING THE SEALANT BEAD AT THE PENETRATION PERIMETER.
- SEE GE ELEMEX 2600 AWB DATA SHEET FOR LIST OF ADDITIONAL ACCEPTABLE GE SEALANTS/LIQUID FLASHING.

**PENETRATIONS – METHOD A: GE ELEMEX 5000 LIQUID FLASHING
GE ELEMEX® 2600 AIR AND WATER-RESISTIVE BARRIER SYSTEM**

DETAIL #: AWB-03

THE ABOVE DETAIL IS FOR ILLUSTRATION PURPOSES ONLY. IT IS INTENDED AS A GUIDELINE TO ASSIST MOMENTIVE PRODUCT USERS IN DEVELOPING PROJECT SPECIFIC DETAILS. CONSULT APPROPRIATE SPECIFICATION DOCUMENTS, DATA SHEETS, BUILDING CODES AND ANY OTHER INFORMATION DEEMED NECESSARY FOR SPECIFIC REQUIREMENTS. MOMENTIVE PRODUCT USERS ARE RESPONSIBLE FOR DETERMINING THE SUITABILITY OF MOMENTIVE PRODUCTS FOR THE PARTICULAR APPLICATION AND ALL RELATED PROJECT DETAILS. MOMENTIVE MAKES NO WARRANTY, EXPRESS OR IMPLIED, WITH RESPECT TO THE PERFORMANCE, SUITABILITY OR FITNESS FOR INTENDED USE OF ITS PRODUCTS IN ANY USER'S APPLICATION. ANY SALE OF PRODUCTS OR DELIVERY OF CUSTOMER SUPPORT AND ADVICE BY MOMENTIVE PERFORMANCE MATERIALS INC. AND/OR ANY OF ITS AFFILIATES ("MOMENTIVE") IS MADE EXCLUSIVELY UNDER MOMENTIVE'S STANDARD CONDITIONS OF SALE, WHICH ARE AVAILABLE AT WWW.GE.COM/SILICONES.

SCALE: N.T.S.

DATE: 2017-03-27