

Boral Steel® Architectural Details are divided into three (3) categories based on the install method used:

BATTEN (Panel is exposed fastened & mounted onto a wood 2x2 batten or steel hat channel)

DIRECT (Panel is exposed fastened & mounted Direct-to-the roof-deck)

GRANITE-RIDGE Shingle (Panel is hidden fastened & mounted Direct-to-the roof-deck)

Architectural details provided for Boral Steel® customers only

***Batten Fasteners omitted for clarity.**

See fastening drawings for panel and batten attachment.

Battens: to be nominal 2"x2" spruce pine fir #2 or better.

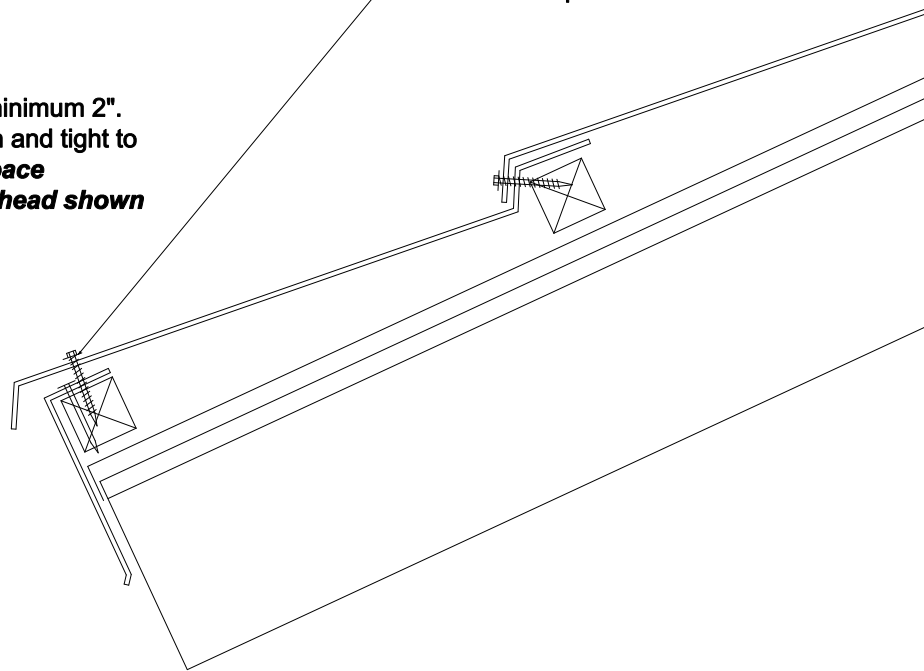
Fastener number, spacing and size as per fastener chart.

Install using appropriate Boral Steel "Batten Spacers". **Spacing between first two battens will vary to insure panel layout.**

Boral Steel Screws to be minimum 2". Fasteners are to be set flush and tight to the surface of the panel. (*space between panel and screw head shown for clarity*)

Panels: Install bottom panel to extend past fascia $\pm \frac{1}{2}$ ". Seal and chip screws at top surface of panel.

Roofing Underlayment:
Wrap min. 1" over finish edges.



Batten Spacing

PINE-CREST Shake: 14 $\frac{1}{4}$ "

PACIFIC Tile: 14 $\frac{1}{4}$ "

BARREL-VAULT Tile: 14"

Profiles:

PINE-CREST Shake

BARREL-VAULT Tile

PACIFIC Tile

**BATTEN
Panel Fastening**

Boral Steel Stone Coated Roofing
7575 Irvine Ctr Dr Suite 100, Irvine, CA 92618

Drawings
are not to
scale