

Boral Steel® Architectural Details are divided into three (3) categories based on the install method used:

BATTEN (Panel is exposed fastened & mounted onto a wood 2x2 batten or steel hat channel)

DIRECT (Panel is exposed fastened & mounted Direct-to-the roof-deck)

GRANITE-RIDGE Shingle (Panel is hidden fastened & mounted Direct-to-the roof-deck)

Architectural details provided for Boral Steel® customers only

****Batten Fasteners omitted for clarity.***

See fastening drawings for panel and batten attachment.

Battens: to be nominal 2"x2" spruce pine fir #2 or better.

Fastener number, spacing and size as per fastener chart.

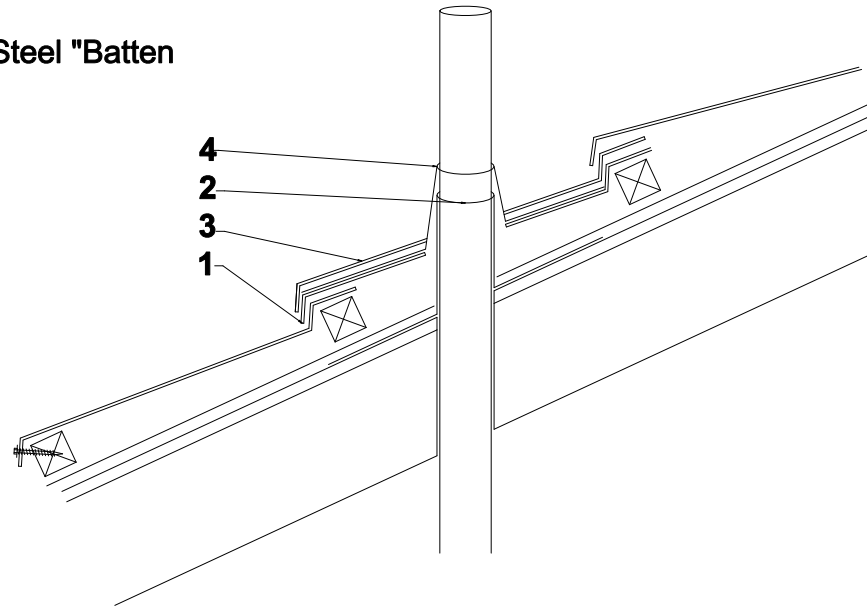
Install using appropriate Boral Steel "Batten Spacers".

Batten Spacing

PINE-CREST Shake: 14 $\frac{1}{4}$ "

PACIFIC Tile: 14 $\frac{1}{4}$ "

BARREL-VAULT Tile: 14"



Double Pan Method:

1. Bottom pan, lose cut.
2. (If dry-in state is required.) Galvanized base flashing sealed with roofing underlayment.
3. Top pan, tight cut, seal with approved sealant and granule chip.
4. Granule coated pipe flashing, seal top with approved sealant.
5. Fasten panels as normal. (fasteners omitted for clarity)

Profiles:

PINE-CREST Shake

BARREL-VAULT Tile

PACIFIC Tile

**BATTEN
Pipe Flashing**

Boral Steel Stone Coated Roofing
7575 Irvine Ctr Dr Suite 100, Irvine, CA 92618

Drawings
are not to
scale