

Boral Steel® Architectural Details are divided into three (3) categories based on the install method used:

BATTEN (Panel is exposed fastened & mounted onto a wood 2x2 batten or steel hat channel)

DIRECT (Panel is exposed fastened & mounted Direct-to-the roof-deck)

GRANITE-RIDGE Shingle (Panel is hidden fastened & mounted Direct-to-the roof-deck)

Architectural details provided for Boral Steel® customers only

***Batten Fasteners omitted for clarity.**

See fastening drawings for panel and batten attachment.

Battens: to be nominal 2"x2" spruce pine fir #2 or better.
Fastener number, spacing and size as per fastener chart.
Install using appropriate Boral Steel "Batten Spacers". **Spacing between first two batten rows will vary to insure panel layout.**

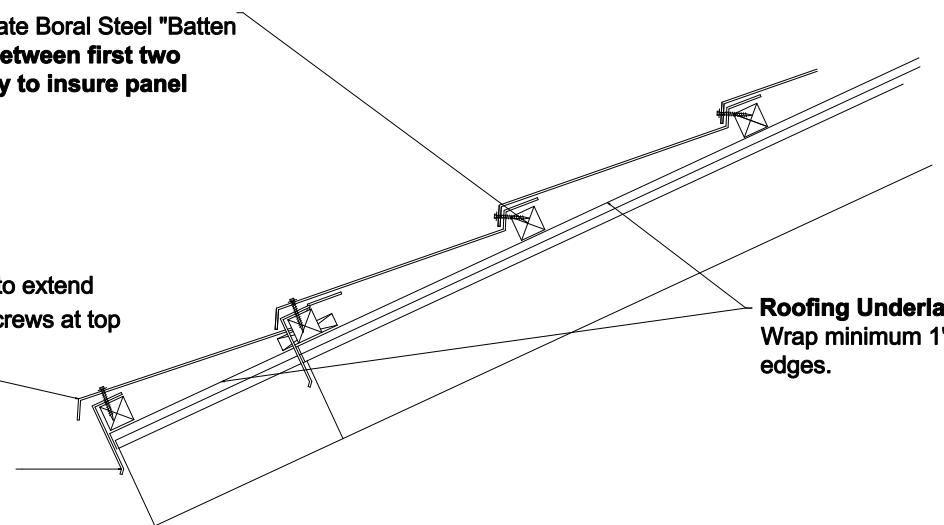
Stepped Down Fascia:

1. Install battens from fascia with longest run.
2. Where fascia steps, terminate 2"x2" and continue batten run with 1"x4".
3. Make adjustment in panels by lapping upper panel over the top of lower full panel and continue fasteners along top surface of panels.
4. Seal and chip screws that are installed into the top surface of the panels.

Panels: Install bottom course to extend past fascia $\frac{1}{2}$ ". Seal and chip screws at top surface of panel.

Boral Steel Fascia Metal:
Install tight to structure.

Roofing Underlayment:
Wrap minimum 1" over finish edges.



Batten Spacing

PINE-CREST Shake: 14 $\frac{1}{4}$ "

PACIFIC Tile: 14 $\frac{1}{4}$ "

BARREL-VAULT Tile: 14"

Profiles:

PINE-CREST Shake

BARREL-VAULT Tile

PACIFIC Tile

**BATTEN
Step Down Eave**

Boral Steel Stone Coated Roofing
7575 Irvine Ctr Dr Suite 100, Irvine, CA 92618

Drawings
are not to
scale