

Boral Steel® Architectural Details are divided into three (3) categories based on the install method used:

**BATTEN** (Panel is exposed fastened & mounted onto a wood 2x2 batten or steel hat channel)

**DIRECT** (Panel is exposed fastened & mounted Direct-to-the roof-deck)

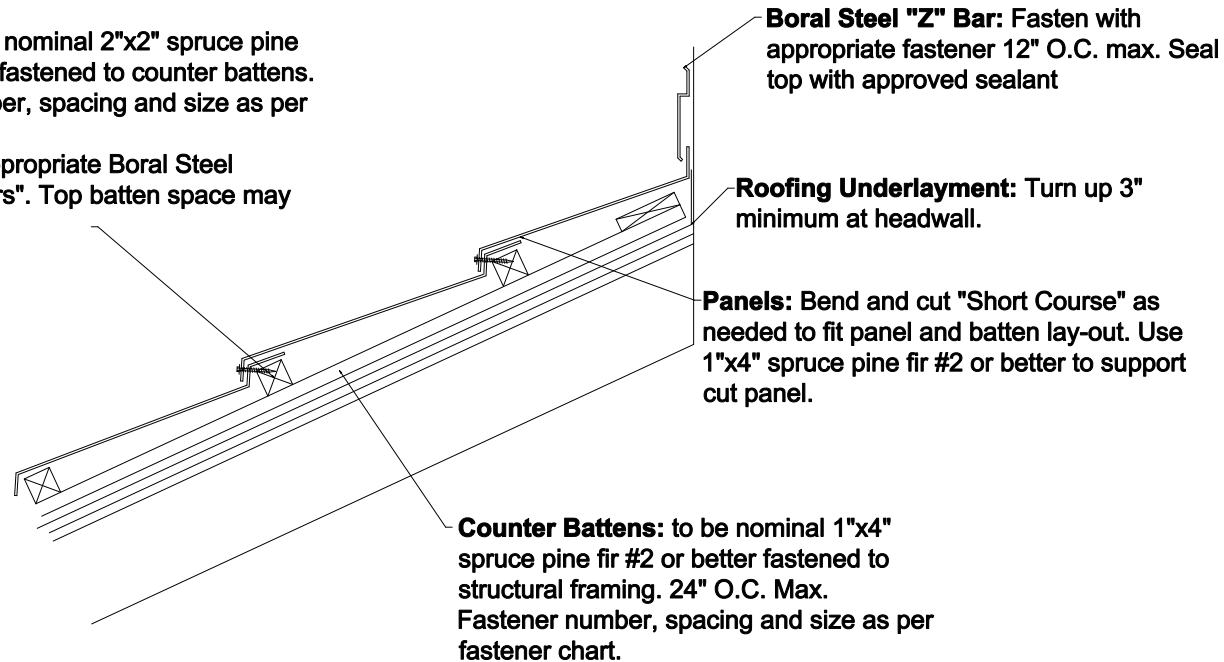
**GRANITE-RIDGE Shingle** (Panel is hidden fastened & mounted Direct-to-the roof-deck)

Architectural details provided for Boral Steel® customers only

**\*Batten Fasteners omitted for clarity.**

**See fastening drawings for panel and batten attachment.**

**Battens:** to be nominal 2"x2" spruce pine fir #2 or better fastened to counter battens. Fastener number, spacing and size as per fastener chart. Install using appropriate Boral Steel "Batten Spacers". Top batten space may be "Short".



**Boral Steel "Z" Bar:** Fasten with appropriate fastener 12" O.C. max. Seal top with approved sealant

**Roofing Underlayment:** Turn up 3" minimum at headwall.

**Panels:** Bend and cut "Short Course" as needed to fit panel and batten lay-out. Use 1"x4" spruce pine fir #2 or better to support cut panel.

**Counter Battens:** to be nominal 1"x4" spruce pine fir #2 or better fastened to structural framing. 24" O.C. Max. Fastener number, spacing and size as per fastener chart.

Profiles:

PINE-CREST Shake

BARREL-VAULT Tile

PACIFIC Tile

**Batten Spacing**

PINE-CREST Shake: 14  $\frac{1}{4}$ "

PACIFIC Tile; 14  $\frac{1}{4}$ "

BARREL-VAULT Tile: 14"

**BATTEN  
Counter-Batten Headwall with  
Z-Bar**

**Boral Steel Stone Coated Roofing**  
7575 Irvine Ctr Dr Suite 100, Irvine, CA 92618

Drawings  
are not to  
scale