

Boral Steel® Architectural Details are divided into three (3) categories based on the install method used:

BATTEN (Panel is exposed fastened & mounted onto a wood 2x2 batten or steel hat channel)

DIRECT (Panel is exposed fastened & mounted Direct-to-the roof-deck)

GRANITE-RIDGE Shingle (Panel is hidden fastened & mounted Direct-to-the roof-deck)

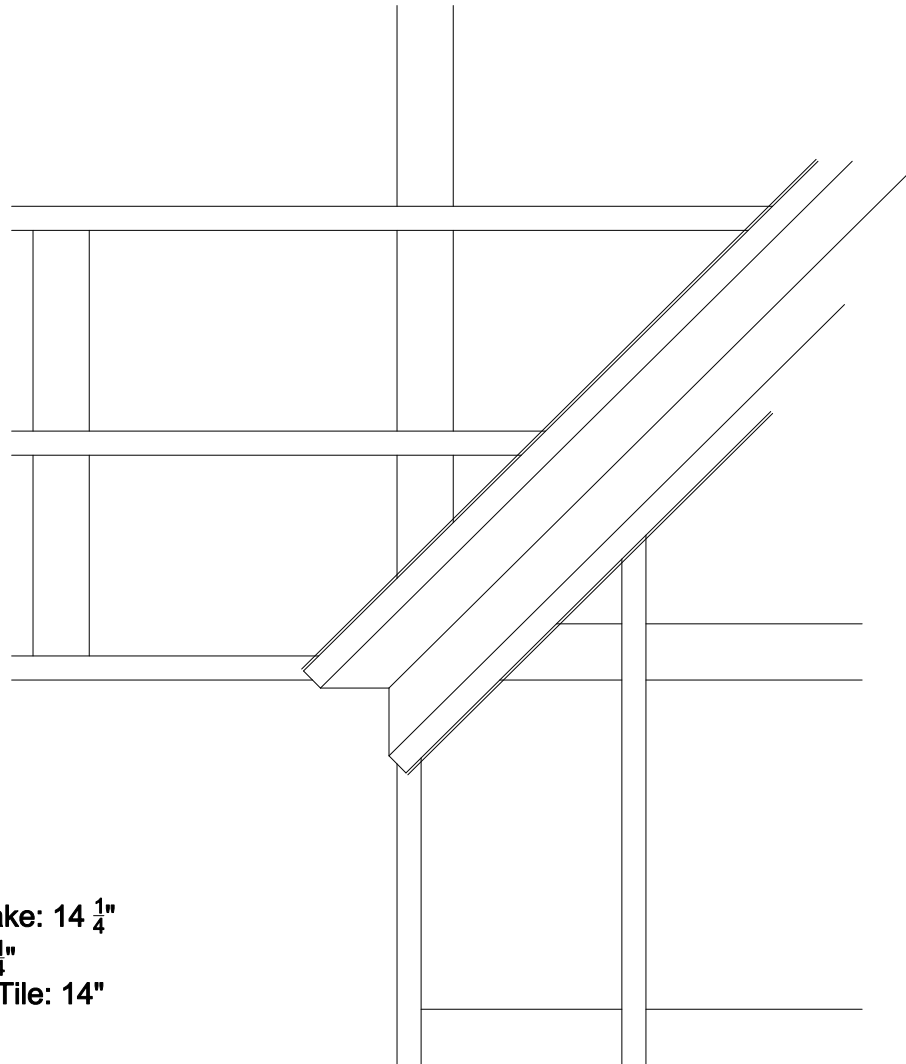
Architectural details provided for Boral Steel® customers only

***Batten Fasteners omitted for clarity.**

See fastening drawings for panel and batten attachment.

Valley Pan Matrix:

1. Run a continuous, nominal 2"x2" batten along both sides of valley opening, centered, 6" apart.
2. Extend valley pan a minimum $\frac{1}{2}$ " beyond fascia.
3. Fasten both sides of valley pan minimum 24" on center.
4. Seal end lap 6" with two beads of approved sealant.



Battens to be 2"x2" nominal spruce pine fir #2 or better fastened to counter battens. Fastener number, spacing and size as per fastener chart. Install using appropriate Boral Steel "Batten Spacers".

Batten Spacing

PINE-CREST Shake: 14 $\frac{1}{4}$ "

PACIFIC Tile: 14 $\frac{1}{4}$ "

BARREL-VAULT Tile: 14"

Profiles:

PINE-CREST Shake

BARREL-VAULT Tile

PACIFIC Tile

**BATTEN
Counter Batten Valley Batten
Matrix**

Boral Steel Stone Coated Roofing
7575 Irvine Ctr Dr Suite 100, Irvine, CA 92618

Drawings
are not to
scale