

Boral Steel® Architectural Details are divided into three (3) categories based on the install method used:

**BATTEN** (Panel is exposed fastened & mounted onto a wood 2x2 batten or steel hat channel)

**DIRECT** (Panel is exposed fastened & mounted Direct-to-the roof-deck)

**GRANITE-RIDGE Shingle** (Panel is hidden fastened & mounted Direct-to-the roof-deck)

Architectural details provided for Boral Steel® customers only

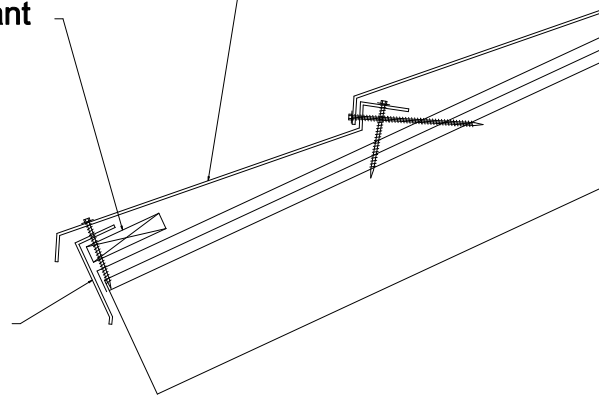
**\*Panel fastener lengths have been exaggerated to show that they must penetrate the decking and/or structural member.**

**Eave Riser:** to be nominal 1"x4" spruce pine fir #2 or better.  
Fasten 12" O.C. with 16d corrosion resistant nails or screws with enough length to penetrate decking a minimum of  $\frac{3}{4}$ ".

**Boral Steel Fascia Metal:**  
Install tight to structure.

**Panels:** Install bottom panel to extend past fascia  $\frac{1}{2}$ ". Seal and chip screws at top surface of panel. Nose and hidden fastener must penetrate the decking a minimum of  $\frac{3}{8}$ ". The nose fastener does not require sealant.

**Roofing Underlayment:**  
Wrap minimum 1" over finish edges.



Profiles:

PINE-CREST Shake

BARREL-VAULT Tile

PACIFIC Tile

COTTAGE Shingle

**Direct  
Eave - Wood Riser**

**Boral Steel Stone Coated Roofing**  
7575 Irvine Ctr Dr Suite 100, Irvine, CA 92618

Drawings  
are not to  
scale