

Boral Steel® Architectural Details are divided into three (3) categories based on the install method used:

Architectural details provided for Boral Steel® customers only

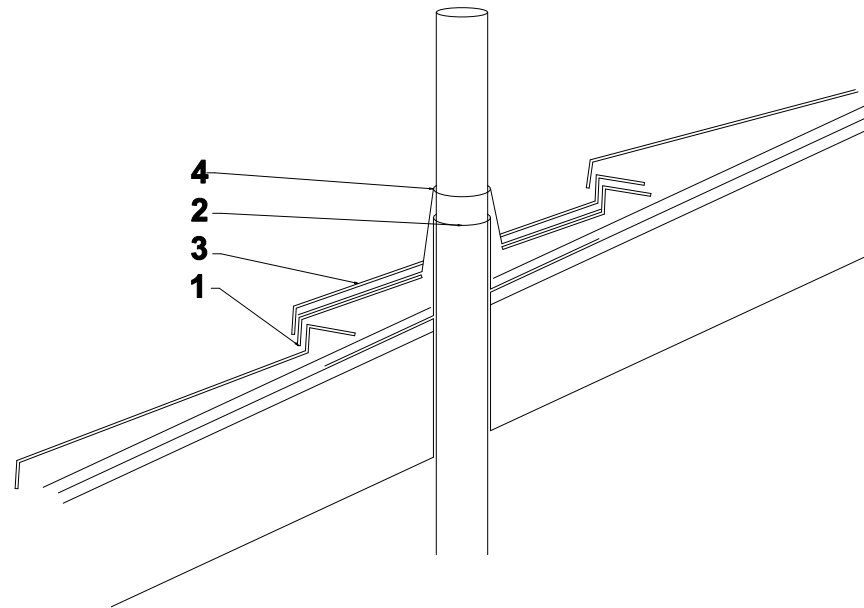
BATTEN (Panel is exposed fastened & mounted onto a wood 2x2 batten or steel hat channel)

DIRECT (Panel is exposed fastened & mounted Direct-to-the roof-deck)

GRANITE-RIDGE Shingle (Panel is hidden fastened & mounted Direct-to-the roof-deck)

Double Pan Method:

1. Bottom pan, lose cut.
2. (If dry-in state is required.) Galvanized base flashing sealed with roofing underlayment.
3. Top pan, tight cut, seal with approved sealant and granule chip.
4. Granule coated pipe flashing, seal top with approved sealant.
5. Fasten panels as normal. (fasteners omitted for clarity)



Profiles:

PINE-CREST Shake

BARREL-VAULT Tile

PACIFIC Tile

COTTAGE Shingle

**DIRECT
Pipe Flashing**

Boral Steel Stone Coated Roofing
7575 Irvine Ctr Dr Suite 100, Irvine, CA 92618

Drawings
are not to
scale