

Boral Steel® Architectural Details are divided into three (3) categories based on the install method used:

BATTEN (Panel is exposed fastened & mounted onto a wood 2x2 batten or steel hat channel)

DIRECT (Panel is exposed fastened & mounted Direct-to-the roof-deck)

GRANITE-RIDGE Shingle (Panel is hidden fastened & mounted Direct-to-the roof-deck)

Architectural details provided for Boral Steel® customers only

***Panel fastener lengths have been exaggerated to show that they must penetrate the decking and/or structural member.**

Stepped Down Fascia:

1. Install nominal 1"x4" spruce-pine-fir battens along each eave.
2. Make adjustment in panels by slightly flattening lower panel and lapping upper panel over the top of lower full panel and continue fasteners along top surface of panels.
3. Seal and chip screws that are installed into the top surface of the panel. (Nose fasteners do not need to be sealed)

Support and Eave Riser: to be nominal 1"x4" spruce pine fir #2 or better.
Fasten 12" O.C.

Panels: Install bottom course to extend past fascia $\frac{1}{2}$ ". Seal and chip screws at top surface of panel.

Boral Steel Fascia Metal:
Install tight to structure.

Roofing Underlayment:
Wrap minimum 1" over finish edges.

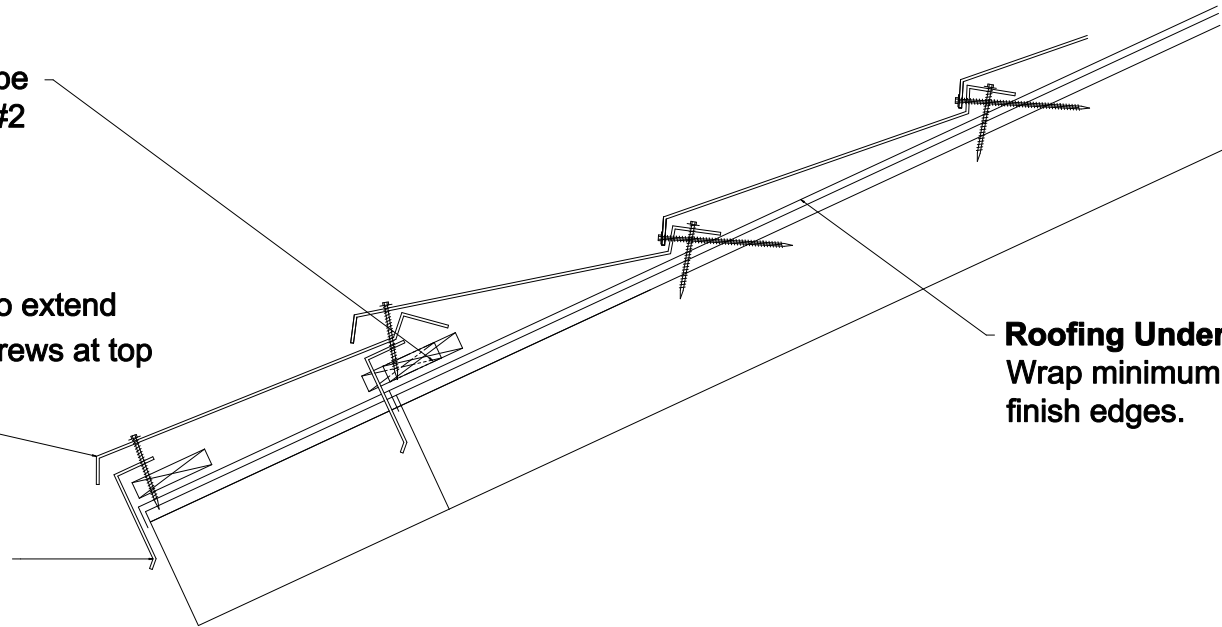
Profiles:

PINE-CREST Shake

BARREL-VAULT Tile

PACIFIC Tile

COTTAGE Shingle



Boral Steel Stone Coated Roofing
7575 Irvine Ctr Dr Suite 100, Irvine, CA 92618

Drawings
are not to
scale