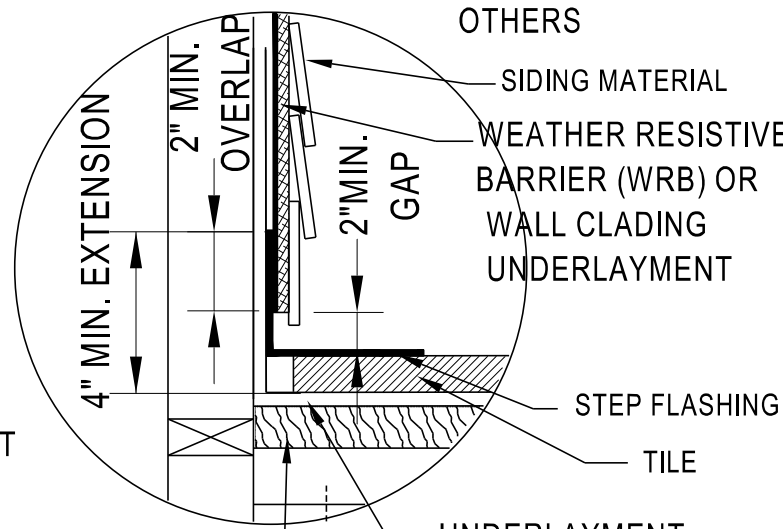
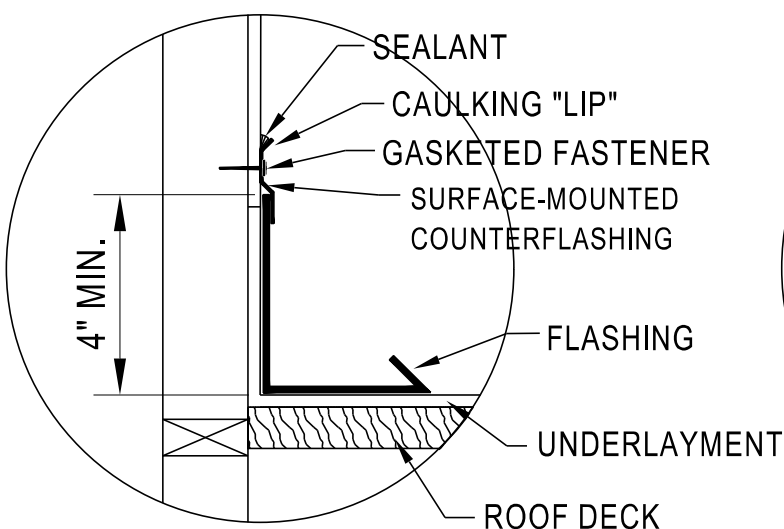
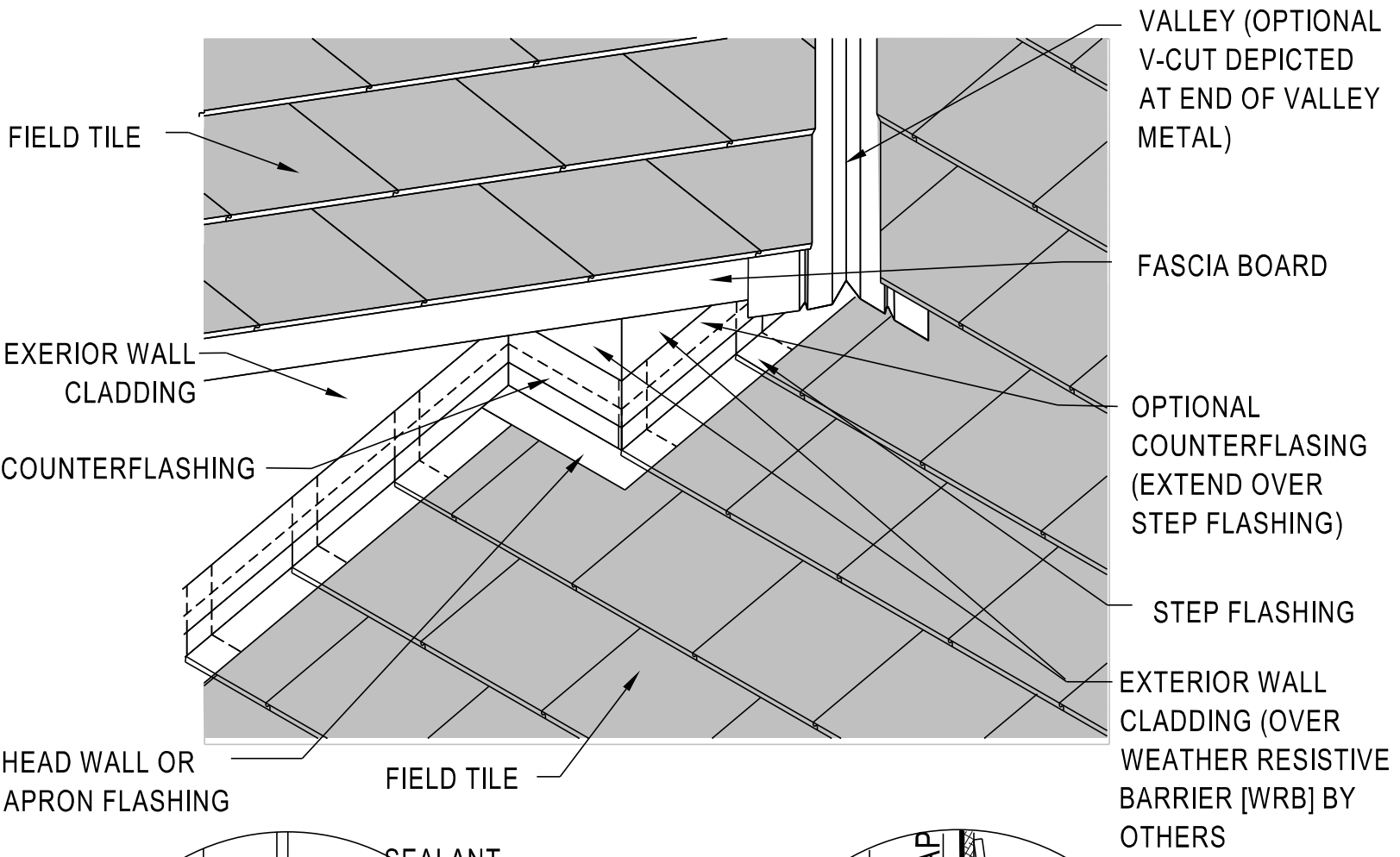


BOXED-IN SOFFIT

MC-12C



SURFACE MOUNT FLASHING

ROOF DECK

UNDERLAYMENT (EXTENDED 4" MIN. UP WALL)

NOTES:

1. Surface-mounted flashing may be sufficient in some mild climates. However, concealed or insert flashings such as "Z" metal or Stucco-type two-piece reglet and counter flashing or step flashing, are recommended in wet climates, particularly with stucco or other permeable cladding systems.
2. Dimensions shown are minimums and are intended to be approximate to allow for reasonable tolerances due to field conditions, and are practice.

